

FURNITURE ACCESSORIES

| | | |
|----------|---|-----------|
| 1 | Drawers | 2 |
| 1.1. | Drawers SEVROLLBOX SLIM 3D | 2 |
| 1.2. | Drawers SEVROLLBOX SLIM | 18 |
| 1.3. | Drawers accessories | 34 |
| 2 | Drawer slides | 36 |
| 2.1. | Undermount Drawer Slides - DXS 3D synchro with soft-close | 36 |
| 2.2. | Undermount Drawer Slides - DXP 3D synchro with PUSH system | 38 |
| 2.3. | Undermount Drawer Slides DXP-D-3D synchro with PUSH open and fixing for synchronising bar | 40 |
| 2.4. | Full extension ball bearing drawer slides with soft-close | 42 |
| 3 | Soft-close clip-on hinges | 44 |
| 4 | Furniture legs | 58 |
| 5 | Steel pull down clothes rail | 62 |
| 6 | Drawer handle profiles | 66 |
| 6.1. | Gola Profile | 66 |
| 6.2. | Other handle profiles | 70 |
| 7 | Wardrobes | 72 |
| 7.1 | System Royal | 72 |

These are innovative solutions facilitating the arrangement of space and increasing the functionality of furniture. SEVROLL's furniture accessories came as a response to the growing demand for a high **quality, aesthetically** pleasing products, whilst maintaining the style and functionality of arranged spaces.

- **SEVROLL's high quality** furniture accessories increase the longevity of the furniture itself and increasing its resistance during everyday use
- **Aesthetics** and the modern design of components provide individual character to all arrangements
- **The functionality** of SEVROLL's furniture accessories ensure optimal space management
- **Versatility** – they are used in kitchen and office furniture, bedrooms and walk-in-wardrobes.

1.1 SEVROLLBOX SLIM DRAWERS

Innovative thin walled drawer box system



Sevrollbox Slim 3D is a new thin walled drawer available in Sevroll's offer. 3D regulation allows 3-dimensional adjustment, enabling simple and precise positioning of the front.

The high quality of our drawer slides combined with an effective soft-close mechanism guarantees comfort of use with a load of up to 35 kg. Slim sides and our smart design allow full usage of the internal space. Rigid metal front connectors and integrated rear wall fastenings enable an easy and quick assembly. Thanks to the wide range of available heights, colours and accessories, drawer Sevrollbox Slim 3D offers many possibilities of space arrangement.



| CHARACTERISTICS | |
|---------------------------|--------------------------------------|
| ▶ Application | Drawer system |
| ▶ Filling (bottom / back) | Board 16 mm |
| ▶ Available lengths | 270, 300, 350, 400, 450, 500, 550 mm |
| ▶ Max. loading | 35 kg |
| ▶ Available wall heights | 90, 131, 178, 213 mm |
| ▶ Construction | Metal |
| ▶ Number of test cycles | 50 000 |
| ▶ Color | White RAL 9003, graphite RAL 7015 |
| ▶ Sales programme | Drawers are sold in sets |

| USAGE |
|---|
| ▶ Carcass furniture, kitchens, walk-in wardrobes, wardrobes |



Drawer SEVROLLBOX SLIM 3D h = 90 mm

| CODE | COLOUR | LENGTH (mm) | COLLECTIVE PACKAGING | PRICED PER |
|--------|----------|-------------|----------------------|------------|
| 222975 | WHITE | 270 | 6 | set |
| 222996 | GRAPHITE | 270 | 6 | set |
| 222976 | WHITE | 300 | 6 | set |
| 222997 | GRAPHITE | 300 | 6 | set |
| 222977 | WHITE | 350 | 6 | set |
| 222998 | GRAPHITE | 350 | 6 | set |
| 222978 | WHITE | 400 | 6 | set |
| 222999 | GRAPHITE | 400 | 6 | set |
| 222979 | WHITE | 450 | 6 | set |
| 223000 | GRAPHITE | 450 | 6 | set |
| 222980 | WHITE | 500 | 6 | set |
| 223001 | GRAPHITE | 500 | 6 | set |
| 222981 | WHITE | 550 | 6 | set |
| 223002 | GRAPHITE | 550 | 6 | set |

Drawer SEVROLLBOX SLIM 3D h = 131 mm

| CODE | COLOUR | LENGTH (mm) | COLLECTIVE PACKAGING | PRICED PER |
|--------|----------|-------------|----------------------|------------|
| 223118 | WHITE | 270 | 6 | set |
| 223125 | GRAPHITE | 270 | 6 | set |
| 223119 | WHITE | 300 | 6 | set |
| 223126 | GRAPHITE | 300 | 6 | set |
| 223120 | WHITE | 350 | 6 | set |
| 223127 | GRAPHITE | 350 | 6 | set |
| 223121 | WHITE | 400 | 6 | set |
| 223128 | GRAPHITE | 400 | 6 | set |
| 223122 | WHITE | 450 | 6 | set |
| 223129 | GRAPHITE | 450 | 6 | set |
| 223123 | WHITE | 500 | 6 | set |
| 223130 | GRAPHITE | 500 | 6 | set |
| 223124 | WHITE | 550 | 6 | set |
| 223131 | GRAPHITE | 550 | 6 | set |



Drawer SEVROLLBOX SLIM 3D h = 178 mm

| CODE | COLOUR | LENGTH (mm) | COLLECTIVE PACKAGING | PRICED PER |
|--------|----------|-------------|----------------------|------------|
| 222982 | WHITE | 270 | 5 | set |
| 223003 | GRAPHITE | 270 | 5 | set |
| 222983 | WHITE | 300 | 5 | set |
| 223004 | GRAPHITE | 300 | 5 | set |
| 222984 | WHITE | 350 | 5 | set |
| 223005 | GRAPHITE | 350 | 5 | set |
| 222985 | WHITE | 400 | 5 | set |
| 223006 | GRAPHITE | 400 | 5 | set |
| 222986 | WHITE | 450 | 5 | set |
| 223007 | GRAPHITE | 450 | 5 | set |
| 222987 | WHITE | 500 | 5 | set |
| 223008 | GRAPHITE | 500 | 5 | set |
| 222988 | WHITE | 550 | 5 | set |
| 223009 | GRAPHITE | 550 | 5 | set |

Drawer SEVROLLBOX SLIM 3D h = 213 mm

| CODE | COLOUR | LENGTH (mm) | COLLECTIVE PACKAGING | PRICED PER |
|--------|----------|-------------|----------------------|------------|
| 222989 | WHITE | 270 | 4 | set |
| 223010 | GRAPHITE | 270 | 4 | set |
| 222990 | WHITE | 300 | 4 | set |
| 223011 | GRAPHITE | 300 | 4 | set |
| 222991 | WHITE | 350 | 4 | set |
| 223012 | GRAPHITE | 350 | 4 | set |
| 222992 | WHITE | 400 | 4 | set |
| 223013 | GRAPHITE | 400 | 4 | set |
| 222993 | WHITE | 450 | 4 | set |
| 223014 | GRAPHITE | 450 | 4 | set |
| 222994 | WHITE | 500 | 4 | set |
| 223015 | GRAPHITE | 500 | 4 | set |
| 222995 | WHITE | 550 | 4 | set |
| 223016 | GRAPHITE | 550 | 4 | set |

i Included: 2 drawer slides, 2 drawer sides, 2 front drawer fixings and 2 adjustment covers

1.1 DRAWERS SEVROLLBOX SLIM 3D

Universal drawer front base profile for internal drawer **Sevrollbox SLIM 3D**



| CODE | COLOUR | LENGTH (mm) | COLLECTIVE PACKAGING | PRICED PER |
|-------|----------|-------------|----------------------|------------|
| 06012 | WHITE | 1080 | 20 | set |
| 06013 | GRAPHITE | 1080 | 20 | set |

i This component is to be trimmed, used to assemble internal drawer fronts

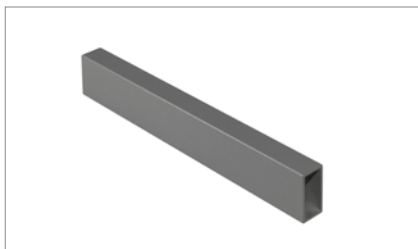
Front base profile for glass internal drawer front **Sevrollbox SLIM 3D**



| CODE | COLOUR | LENGTH (mm) | COLLECTIVE PACKAGING | PRICED PER |
|-------|----------|-------------|----------------------|------------|
| 06014 | WHITE | 1080 | 20 | set |
| 06015 | GRAPHITE | 1080 | 20 | set |

i This component is to be trimmed, used to assemble internal drawer fronts

Universal drawer front railing for internal drawer Sevrollbox **SLIM and SLIM 3D**



| CODE | COLOUR | LENGTH (mm) | COLLECTIVE PACKAGING | PRICED PER |
|-------|----------|-------------|----------------------|------------|
| 04975 | WHITE | 1200 | 50 | item |
| 04974 | GRAPHITE | 1200 | 50 | item |

i This component is to be trimmed, used to assemble internal drawer fronts

Set for internal drawer **Sevrollbox SLIM 3D**



| CODE | COLOUR | LENGTH (mm) | COLLECTIVE PACKAGING | PRICED PER |
|-------|----------|-------------|----------------------|------------|
| 05998 | WHITE | 90 | 20 | set |
| 05999 | GRAPHITE | 90 | 20 | set |
| 06000 | WHITE | 178 | 20 | set |
| 06001 | GRAPHITE | 178 | 20 | set |
| 06002 | WHITE | 213 | 20 | set |
| 06003 | GRAPHITE | 213 | 20 | set |

i These elements are for producing internal drawer fronts

Glass front fitting set for internal drawer **Sevrollbox SLIM 3D**

| CODE | COLOUR | LENGTH (mm) | COLLECTIVE PACKAGING | PRICED PER |
|-------|----------|-------------|----------------------|------------|
| 06004 | WHITE | 90 | 20 | set |
| 06005 | GRAPHITE | 90 | 20 | set |
| 06006 | WHITE | 178 | 20 | set |
| 06007 | GRAPHITE | 178 | 20 | set |
| 06008 | WHITE | 213 | 20 | set |
| 06009 | GRAPHITE | 213 | 20 | set |

i These elements are for producing internal drawer fronts

Sevrollbox Slim 3D drawer front template

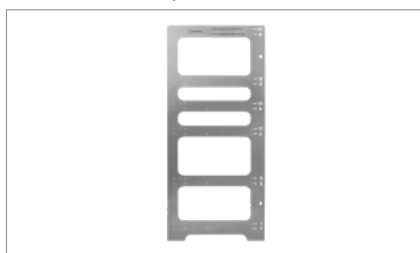
| CODE | COLOUR | COLLECTIVE PACKAGING | PRICED PER |
|-------|--------|----------------------|------------|
| 06064 | STEEL | 1 | item |

i Template used to mark fronts, only for Sevrollbox Slim 3D drawers

Sevrollbox Slim 3D drawer template for slides

| CODE | COLOUR | COLLECTIVE PACKAGING | PRICED PER |
|-------|--------|----------------------|------------|
| 06084 | STEEL | 1 | item |

i Template used to mark drilling positions of slides for Sevrollbox Slim 3D drawers

Universal template for drawers **Sevrollbox Slim** and **Slim 3D**

| CODE | COLOUR | COLLECTIVE PACKAGING | PRICED PER |
|-------|--------|----------------------|------------|
| 06069 | STEEL | 1 | item |

i Template used to plan the most popular combinations of drawers for Sevrollbox Slim 3D and Sevrollbox Slim

1.1 DRAWERS SEVROLLBOX SLIM 3D – Height 90* / 131** / 178*** / 213**** mm

ATTENTION: * dimensions for drawers 90 mm / ** dimensions for drawers 131 mm / *** dimensions for drawers 178 mm / **** dimensions for drawers 213 mm

| Components | Cutting dimensions of 16 mm MDF | |
|---|---------------------------------|--|
| <p>ATTENTION! screws are not included</p> | | <p>NL : 270 [mm] 300 350 400 450 500 550</p> <p>A – Base panel B – Back panel</p> <p>LW – internal cabin width NL – nominal length of drawer</p> |
| | | |

| Drawer slide positioning | Installation measurement |
|---|--|
| <p>Minimal depth of cabinet: (NL + 3 mm)</p> <p>Warning: in drawers with recessed fronts the slides should be positioned further back by the thickness of the drawer front!</p> | <p>D - Positioning of drawer front</p> |

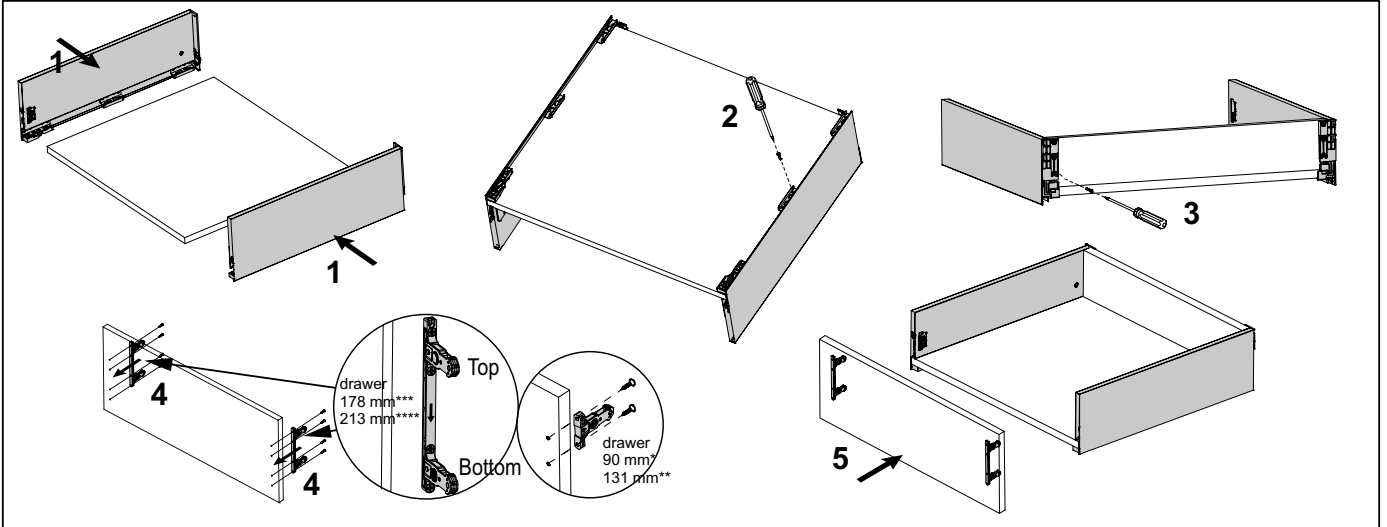
Mounting dimensions for drawer front panel

| | | | |
|---|-----------------------------|-------------------------------|--------------------------------|
| <p>D - Positioning of drawer front</p> <p>Drawer front 90 mm*</p> | <p>Drawer front 131mm**</p> | <p>Drawer front 178 mm***</p> | <p>Drawer front 213 mm****</p> |
|---|-----------------------------|-------------------------------|--------------------------------|

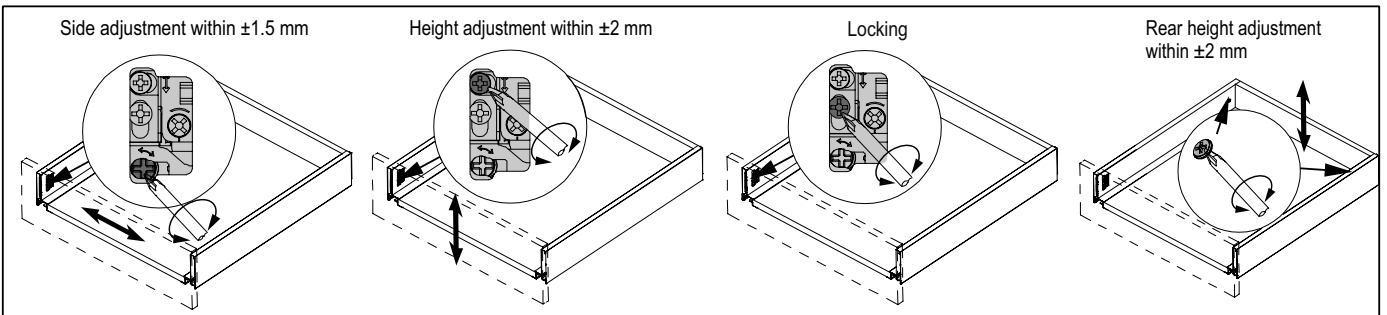
Mounting dimensions of back panel

| | | | |
|------------------------------------|--------------------------------------|---------------------------------------|--|
| <p>Back panel for 90 mm sides*</p> | <p>Back panel for 131 mm sides**</p> | <p>Back panel for 178 mm sides***</p> | <p>Back panel for 213 mm sides****</p> |
|------------------------------------|--------------------------------------|---------------------------------------|--|

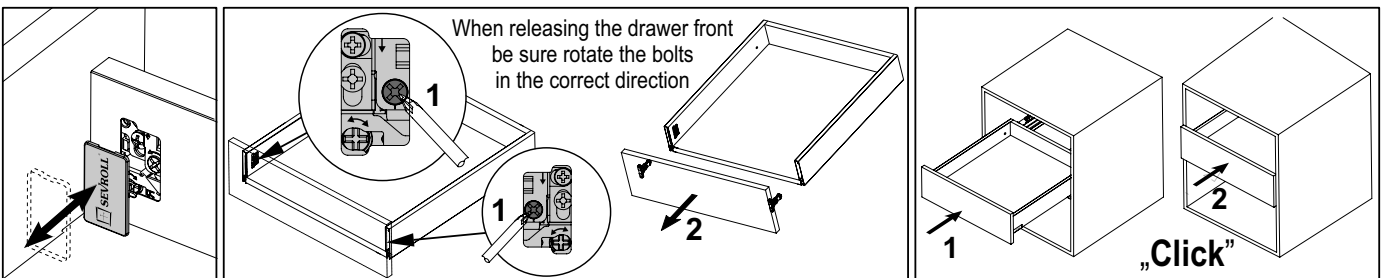
Drawer assembly



Drawer front regulation

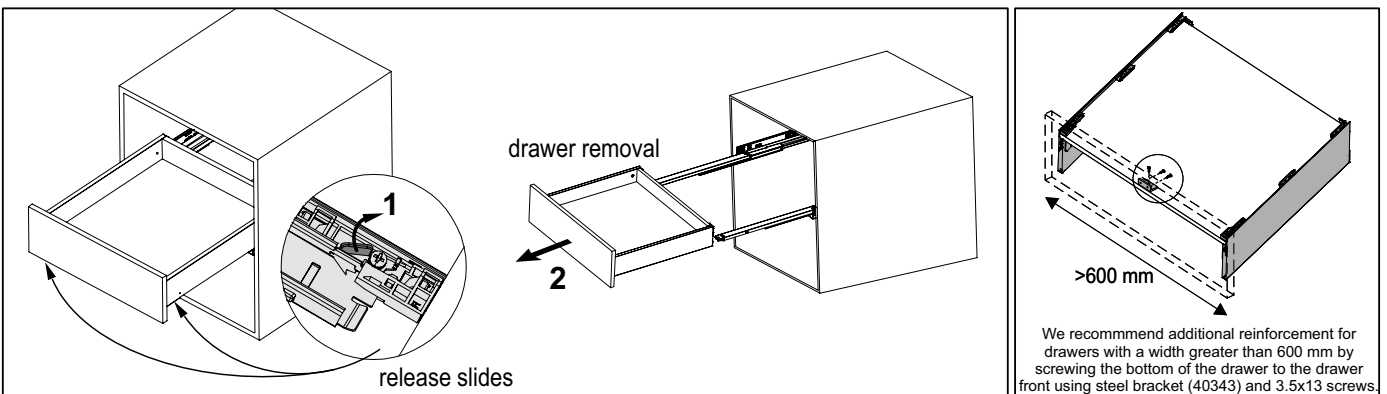


| Cover insertion / removal | Drawer front panel removal | Drawer insertion |
|---------------------------|----------------------------|------------------|
|---------------------------|----------------------------|------------------|



Drawer removal

Drawer strengthening



1.1 DRAWERS SEVROLLBOX SLIM 3D

Set for internal drawer front

Components:

Drawer SEVROLLBOX SLIM 3D
h = 90 mm / h = 178 mm / h = 213 mm

Length: 270 [mm]
300
350
400
450
500
550

Universal drawer front base profile for internal drawer SEVROLLBOX SLIM 3D

1080
113

Universal drawer front railing for internal drawer SEVROLLBOX SLIM 3D

1200
11
20

Only for use with SEVROLLBOX SLIM 3D
h = 178 mm and h = 213 mm

Set for internal drawer SEVROLLBOX SLIM 3D h = 90 mm

R L
114
4x25
Screws for "drawer front base profile"

Set for internal drawer SEVROLLBOX SLIM 3D h = 178 mm

R L
202
4x25
Screws for "drawer front base profile"

Set for internal drawer SEVROLLBOX SLIM 3D h = 213 mm

R L
232
4x25
Screws for "drawer front base profile"

Cutting dimensions of profiles

NL : 270 [mm]
300
350
400
450
500
550

LW – internal width of carcass
NL – nominal length of the drawer

Universal drawer front base profile

$L_p = LW - 100 \text{ mm}$

Universal drawer front railing

$L_R = LW - 87 \text{ mm}$

Calculations for the back wall and base of the drawer can be found in the instructions SEVROLLBOX SLIM 3D

Mounting dimensions

SEVROLLBOX SLIM 3D
h = 90 mm

min. 110
106
min. 23.5
min. 35.5

SEVROLLBOX SLIM 3D
h = 178 mm

min. 198
194
min. 23.5
min. 35.5

SEVROLLBOX SLIM 3D
h = 213 mm

min. 233
229
min. 23.5
min. 35.5

minimum carcass length: (NL + 3 mm)

37 mm
Drawer with flush front

The front of the drawer sits level with the carcass edges

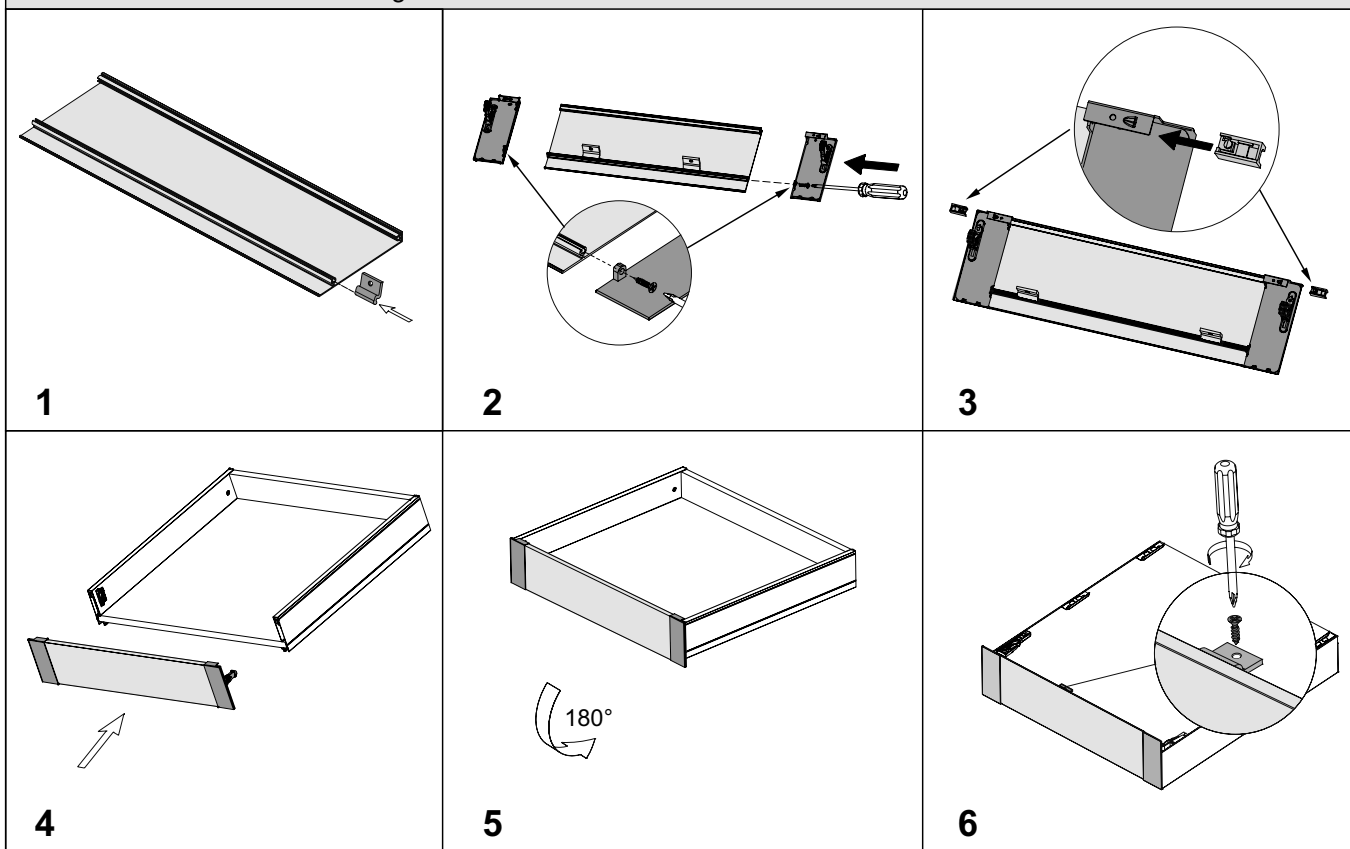
minimum carcass length: (NL + 12 mm)

37 mm
9 mm
Drawer with inset front

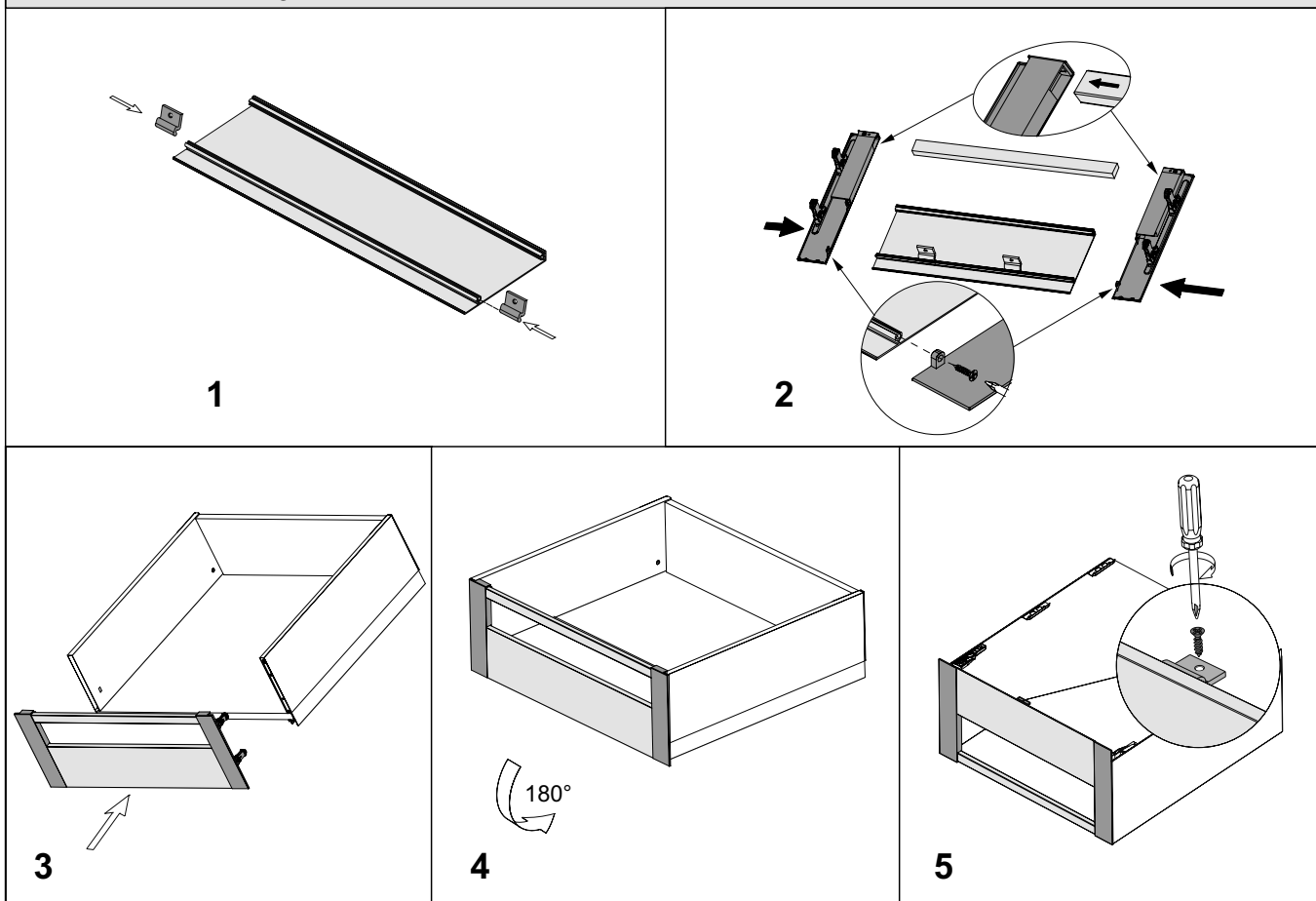
ATTENTION! To ensure that the drawers cover the high front applied, the slides should be taken back by 9 mm (one hole in the slide) into the carcass

Set for internal drawer front

Installing the drawer front for SEVROLLBOX SLIM 3D h = 90 mm



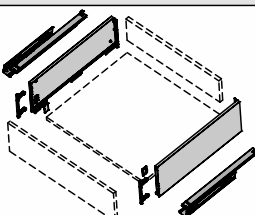
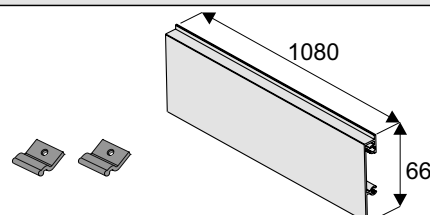
Installing the drawer front for SEVROLLBOX SLIM 3D h = 178 mm and h = 213 mm

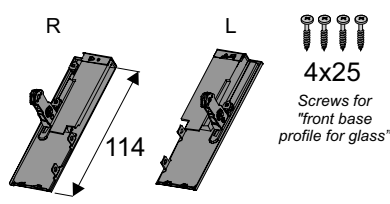
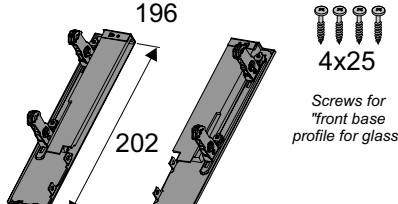
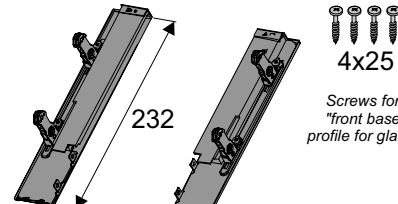


1.1 DRAWERS SEVROLLBOX SLIM 3D

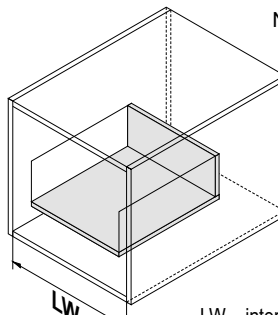
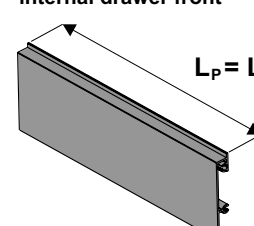
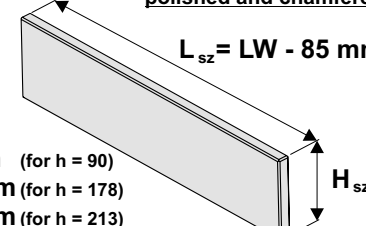
GLASS front fitting Set for internal drawer front

Components:

| | |
|--|--|
| <p style="text-align: center;">Drawer SEVROLLBOX SLIM 3D h = 90 mm / h = 178 mm / h = 213 mm</p>  <p style="text-align: right;">Length: 270 [mm] 300 350 400 450 500 550</p> | <p style="text-align: center;">Front base profile for glass internal drawer front SEVROLLBOX SLIM 3D</p>  |
|--|--|

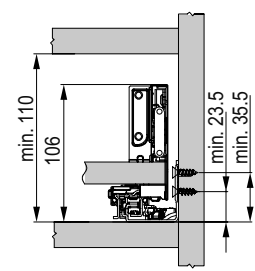
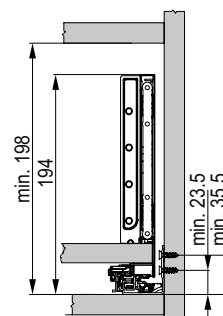
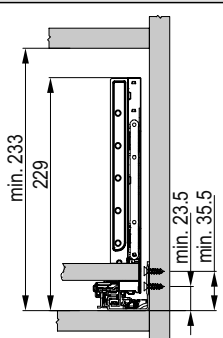
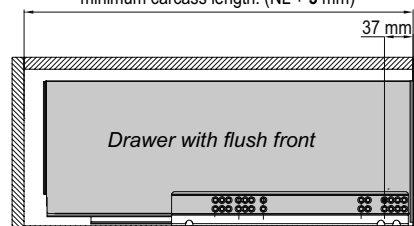
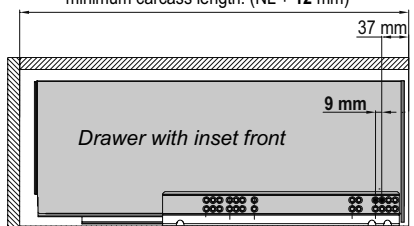
| | | |
|---|--|--|
| <p style="text-align: center;">Glass front fitting Set for internal drawer front SEVROLLBOX SLIM 3D h= 90 mm</p>  | <p style="text-align: center;">Glass front fitting Set for internal drawer front SEVROLLBOX SLIM 3D h= 178 mm</p>  | <p style="text-align: center;">Glass front fitting Set for internal drawer front SEVROLLBOX SLIM 3D h= 213 mm</p>  |
|---|--|--|

Cutting dimensions of profiles

| | | |
|--|--|--|
|  <p>NL : 270 [mm] 300 350 400 450 500 550</p> <p>LW – internal width of carcass NL – nominal length of the drawer</p> | <p style="text-align: center;">Front base profile for glass internal drawer front</p>  <p style="text-align: center;">$L_p = LW - 100 \text{ mm}$</p> | <p style="text-align: center;">Glass # 8 mm</p> <p style="text-align: right;"><u>Edges should be polished and chamfered!</u></p>  <p style="text-align: center;">$L_{sz} = LW - 85 \text{ mm}$</p> <p>H_{sz}: 48 mm (for h = 90) 135 mm (for h = 178) 170 mm (for h = 213)</p> |
|--|--|--|

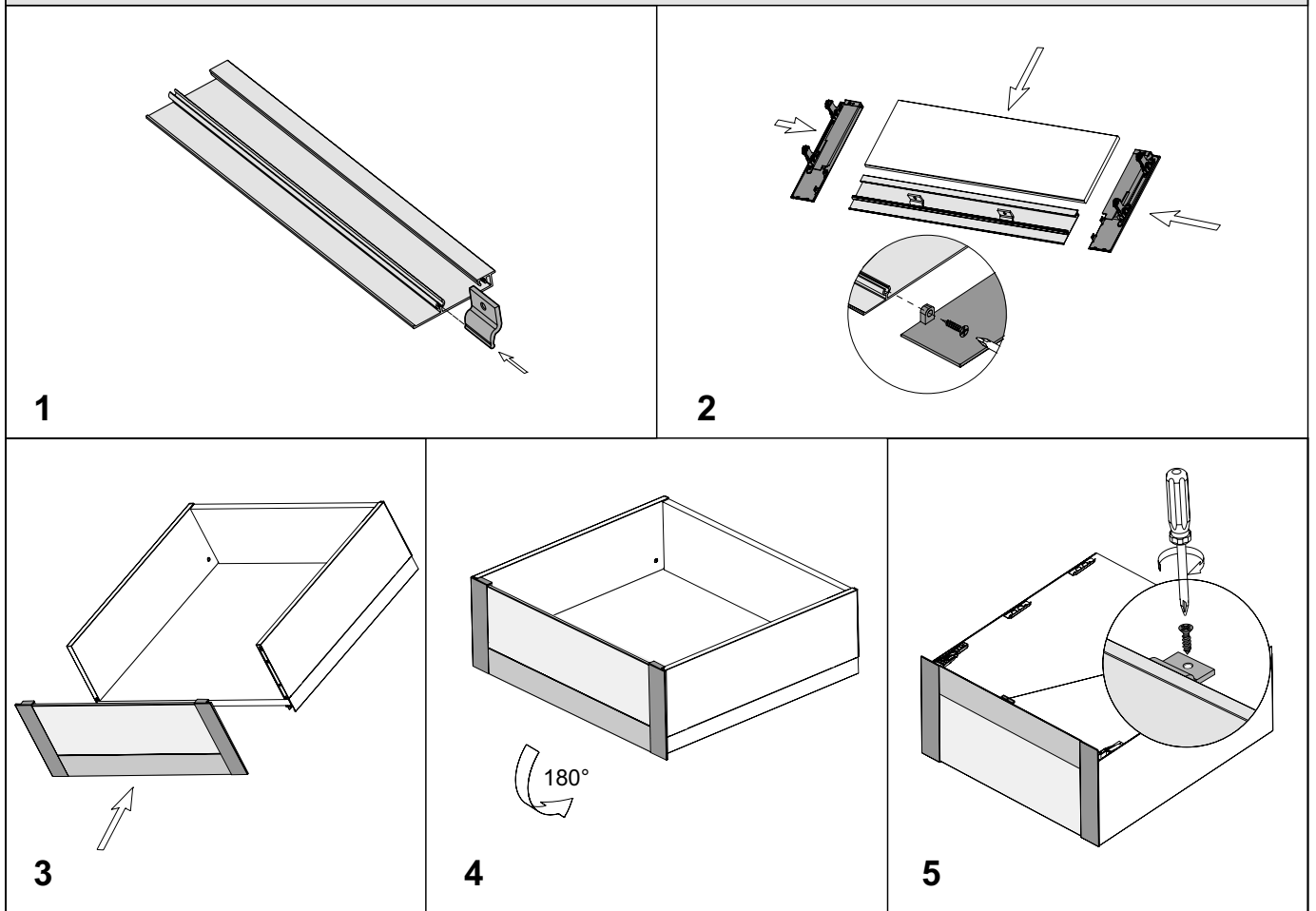
Calculations for the back wall and base of the drawer can be found in the instructions SEVROLLBOX SLIM 3D

Mounting dimensions

| | | |
|---|---|---|
| <p style="writing-mode: vertical-rl; transform: rotate(180deg);">SEVROLLBOX SLIM 3D h = 90 mm</p>  | <p style="writing-mode: vertical-rl; transform: rotate(180deg);">SEVROLLBOX SLIM 3D h = 178 mm</p>  | <p style="writing-mode: vertical-rl; transform: rotate(180deg);">SEVROLLBOX SLIM 3D h = 213 mm</p>  |
| <p style="text-align: center;">minimum carcass length: (NL + 3 mm)</p>  <p style="text-align: center;"><i>Drawer with flush front</i></p> <p style="text-align: center;">The front of the drawer sits level with the carcass edges</p> | <p style="text-align: center;">minimum carcass length: (NL + 12 mm)</p>  <p style="text-align: center;"><i>Drawer with inset front</i></p> <p style="text-align: center;">ATTENTION! To ensure that the drawers cover the high front applied, the slides should be taken back by 9 mm (one hole in the slide) into the carcass</p> | |

GLASS front fitting Set for internal drawer front

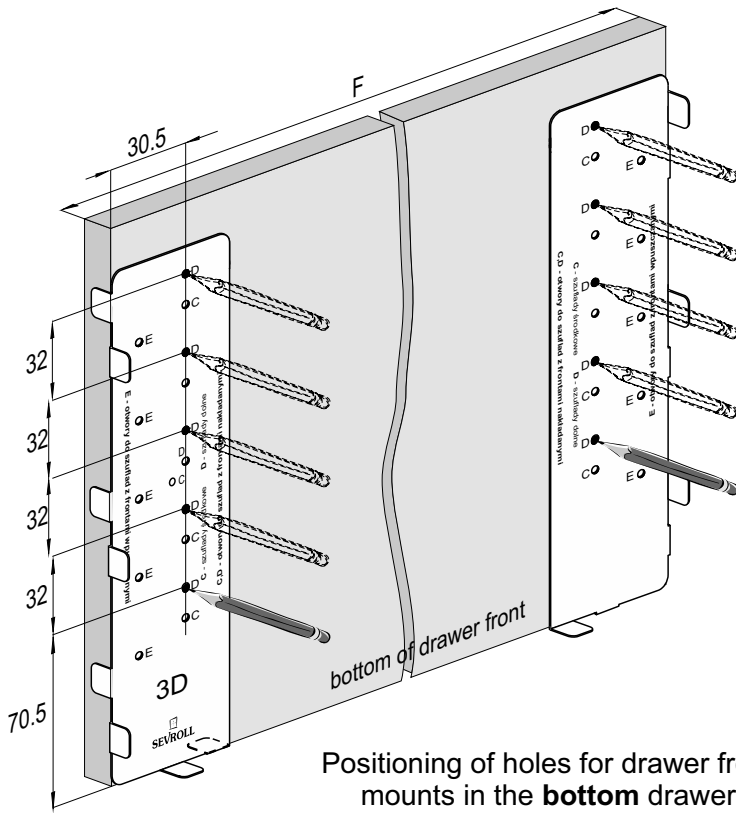
Installing the glass drawer front for SEVROLLBOX SLIM 3D h = 90 mm, h = 178 mm, h = 213 mm



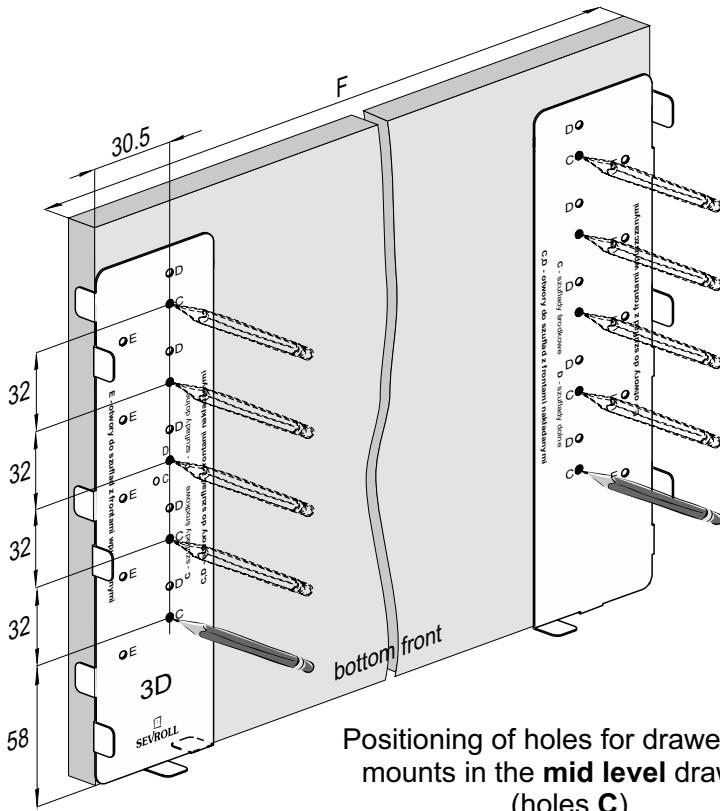
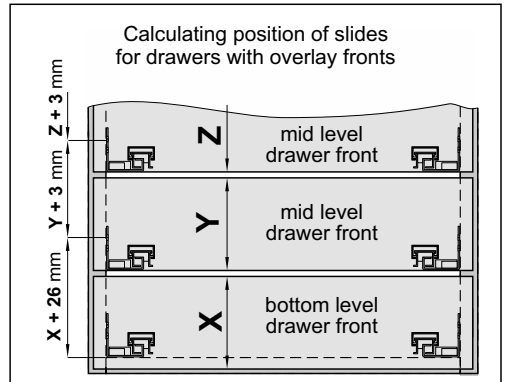
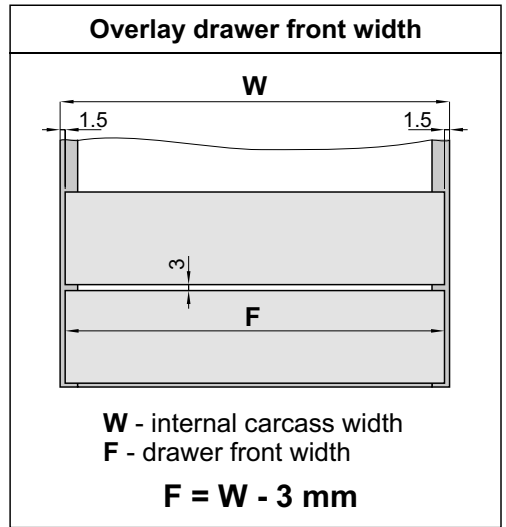
1.1 TEMPLATE SEVROLLBOX SLIM 3D

drawer front

Overlay drawer fronts



Positioning of holes for drawer front mounts in the **bottom** drawer (holes **D**)



Positioning of holes for drawer front mounts in the **mid level** drawers (holes **C**)

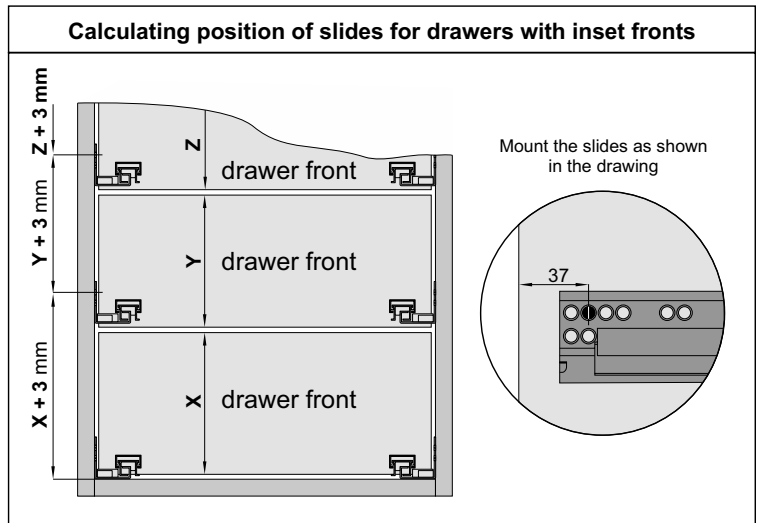
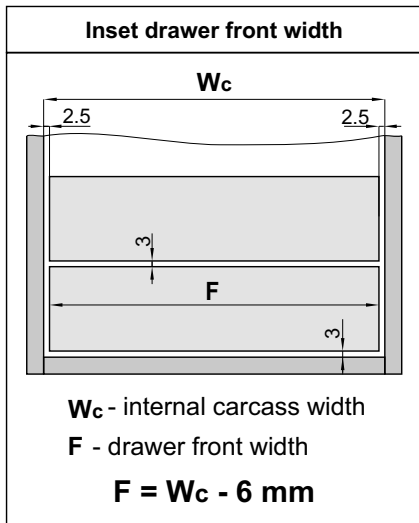
Important information:

Sevroll's offer also includes templates: **Sevrollbox Slim 3D for slides** (index: **06084**), and **Universal template for drawers Sevrollbox Slim and Slim 3D** (index: **06069**) they are designed for easy and precise marking of holes for slide mounting

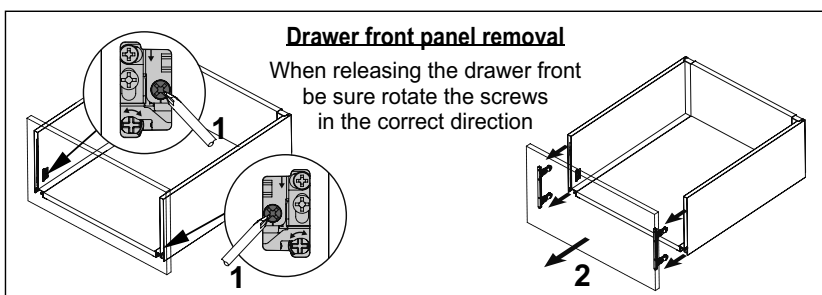
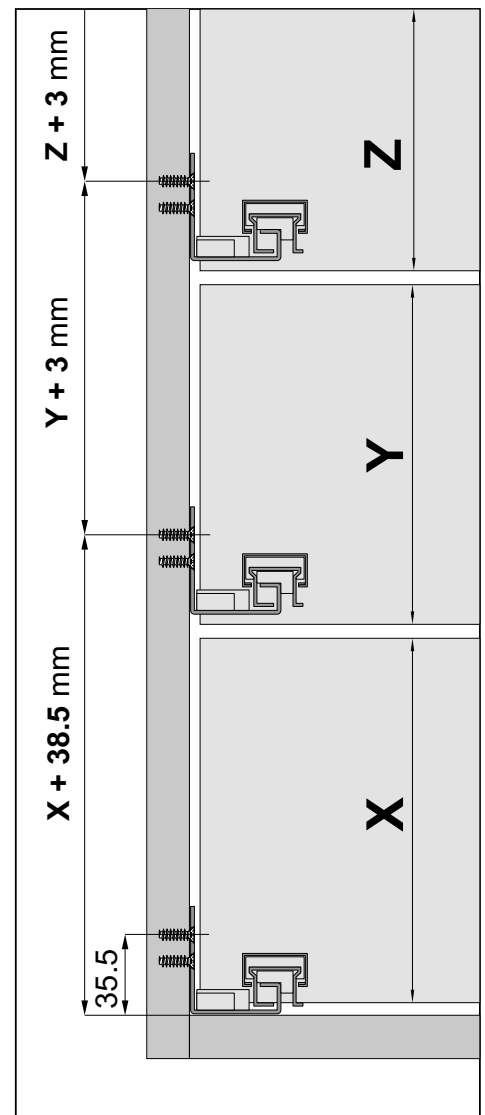
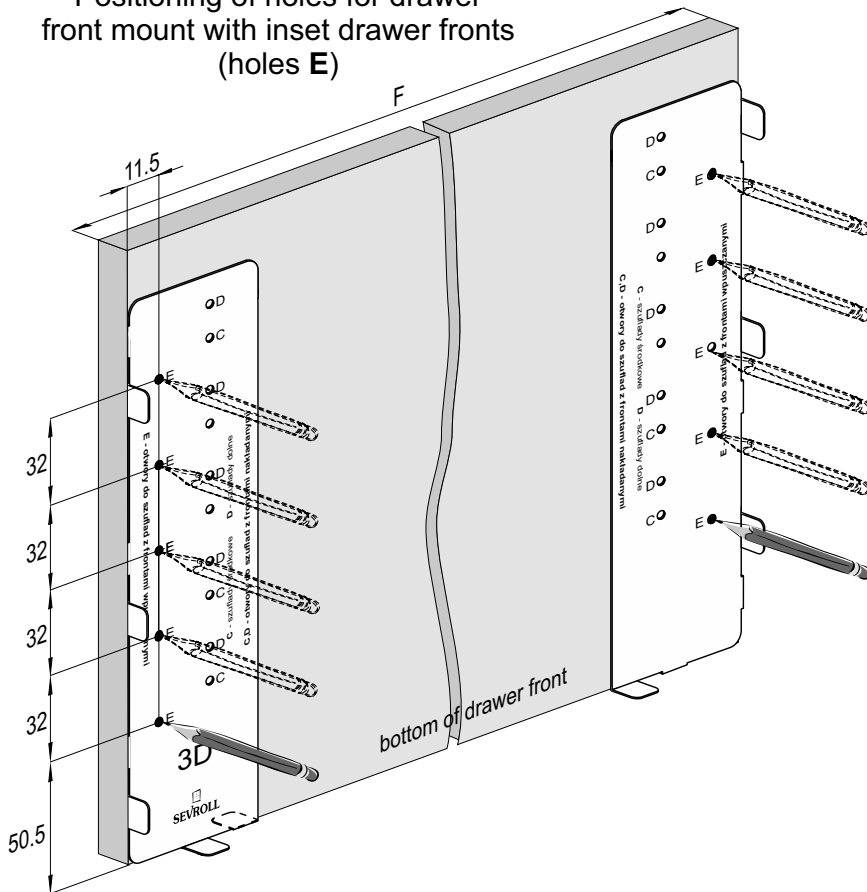


drawer front

Inset drawer fronts



Positioning of holes for drawer front mount with inset drawer fronts (holes E)

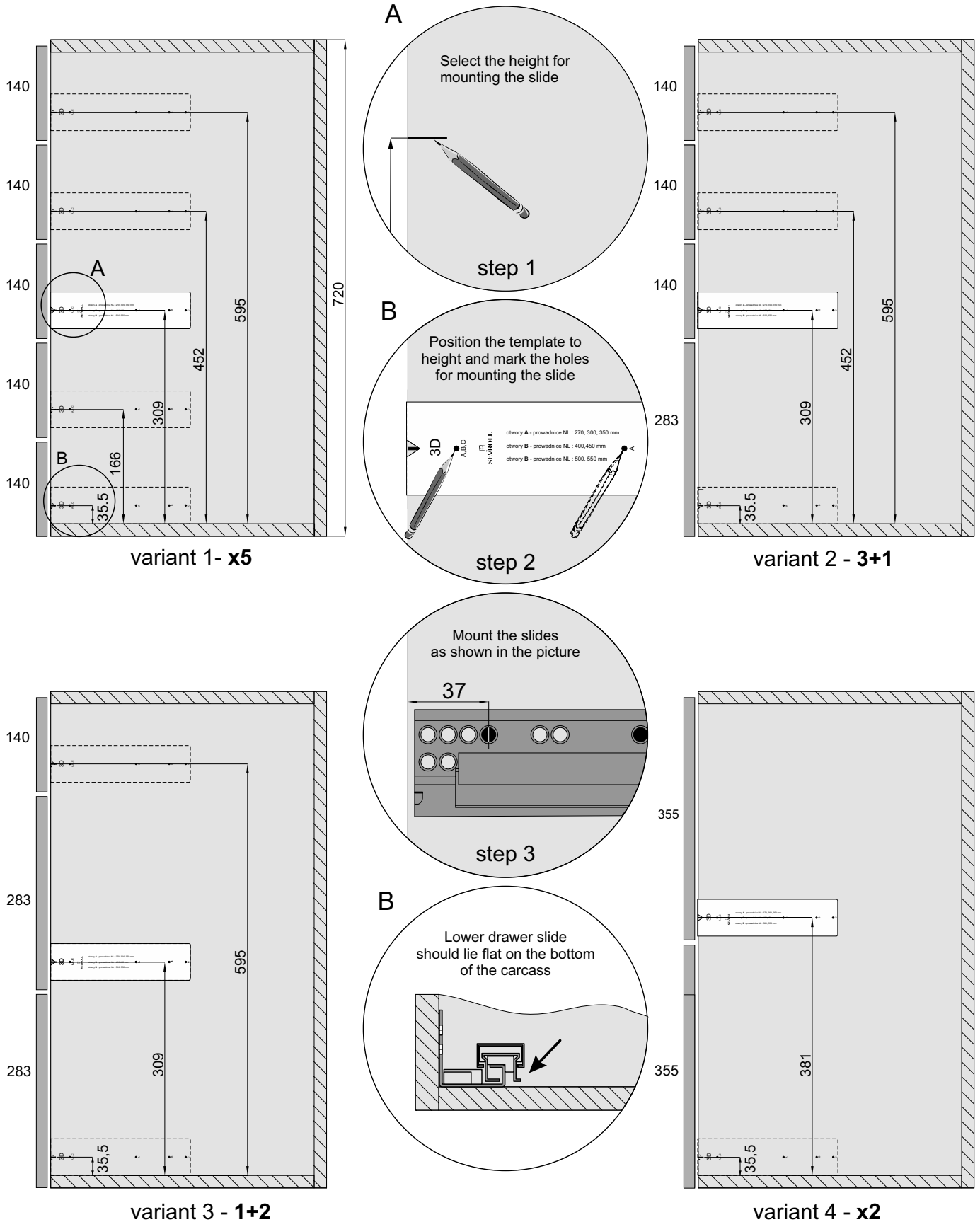


1.1 TEMPLATE SEVROLLBOX SLIM 3D

for slides

Marking holes for attaching the slides to Sevrrollbox Slim 3D drawers with **overlays** fronts

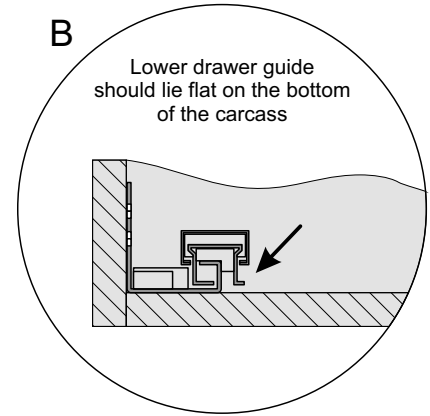
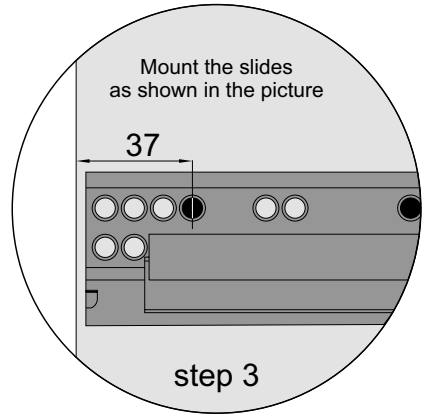
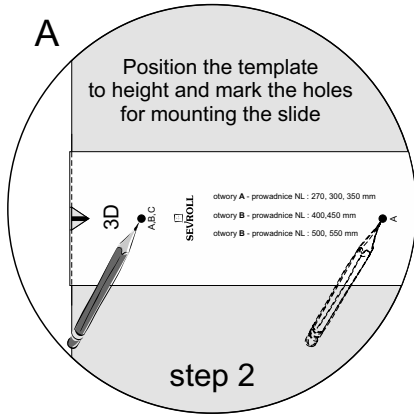
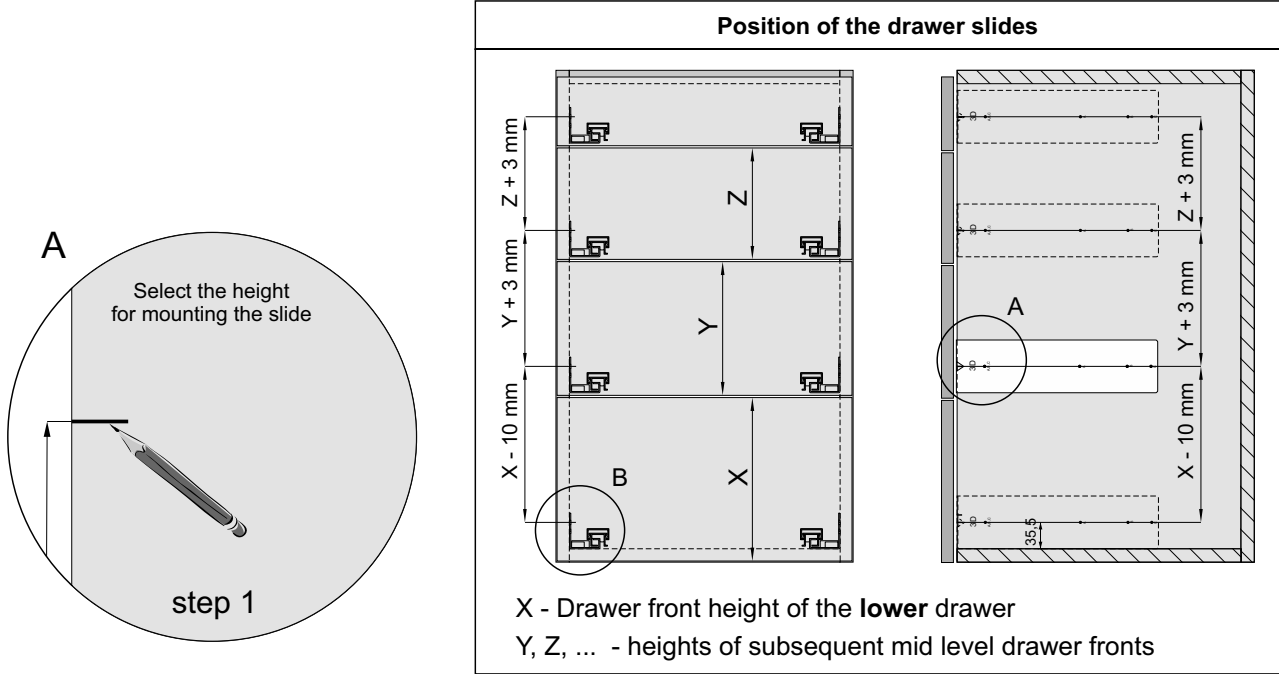
The height of Sevrrollbox Slim 3D slides in furniture carcasses (height 720 mm)
- 4 variants



for slides

Marking holes for attaching the slides to Sevrollbox Slim 3D drawers with **overlays** fronts

Any height of carcass, quantity and drawer front height

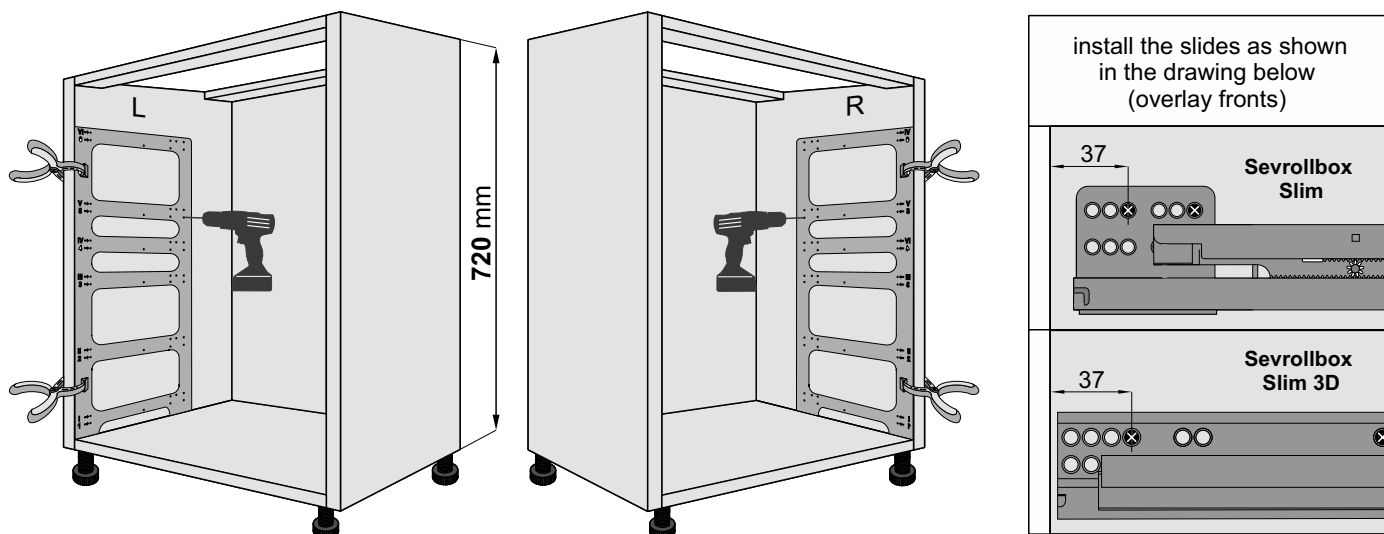


Important information

Sevroll's offer also includes the template Sevrollbox Slim 3D for drawer fronts (**index: 06064**). This is used for marking the holes to mount drawer fronts to Sevrollbox Slim 3D drawers.

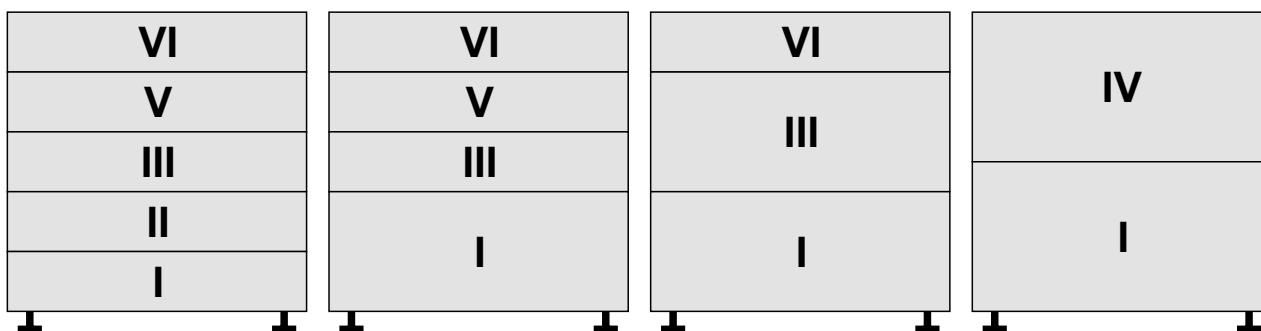
1.1 UNIVERSAL TEMPLATE FOR DRAWERS

SEVROLLBOX SLIM AND SLIM 3D (INSTALLATION OF DRAWER SLIDES)

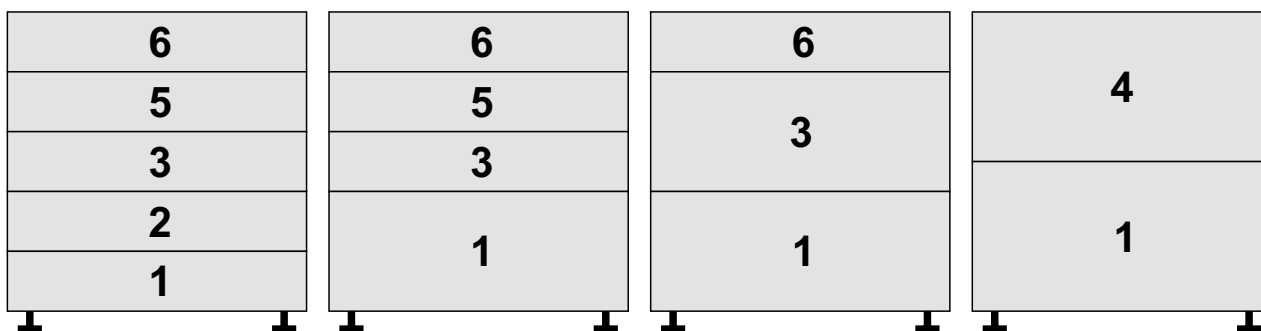


1. Template must be placed on the side of the frame as shown in the drawing (clamps can be used)
2. Depending on the position of the fronts, we drill holes for slide mounting in the suitable places on the template (drill $\varnothing 2.5$ mm)

Sevrollbox Slim drawers - use template holes in positions I-VI



Sevrollbox Slim 3D drawers - use template holes in places 1-6

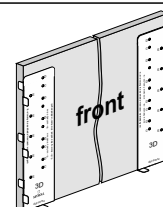
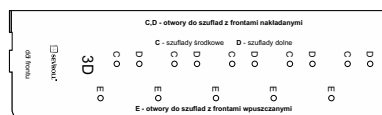


Important information

Sevroll's offer also includes the template:

- Sevrollbox Slim for drawer fronts (**Index: 05338**)
- Sevrollbox Slim 3D for drawer fronts (**Index: 06064**)

This is used for marking the holes to mount drawer fronts to Sevrollbox Slim drawers.



Drawer **SEVROLLBOX SLIM 3D**



1.2 DRAWERS SEVROLLBOX SLIM

Innovative thin walled drawer box system



meble plus
2019
PRODUKT ROKU

DIAMENT
meblarstwa
2019

Sevroll drawers are reliable and modern

SEVROLLBOX SLIM is an innovative system for the installation of drawers. Its design, look and colour range allow you to create a modern drawer. The 3 heights of drawer sides: 84 mm, 167 mm and 199 mm (available in white and graphite finishes) have a perfect rectangular shape, taking up less area inside the drawer and maximizing usable space. Silent and fully extendable soft-close slides are comfortable to use and offer unlimited access to the drawer. The drawer fronts can be adjusted vertically and horizontally giving perfect alignment within the carcass. Drawer front adjustment is made from inside the drawer, making it easy to adjust and easy to remove. SEVROLLBOX SLIM has a high load capacity of 40 kg and a wide range of drawer depths (270-550 mm) allowing you to use this product in any interior.



CHARACTERISTICS

| | |
|---------------------------|--------------------------------------|
| ▶ Application | Drawer system |
| ▶ Filling (bottom / back) | Board 16 mm |
| ▶ Available lengths | 270, 300, 350, 400, 450, 500, 550 mm |
| ▶ Max. loading | 40 kg |
| ▶ Available wall heights | 84, 116, 167, 199 mm |
| ▶ Construction | Metal |
| ▶ Number of test cycles | 50 000 |
| ▶ Colour | White RAL 9003, graphite RAL 7015 |
| ▶ Sales programme | Drawers are sold in sets |

USAGE

▶ Carcass furniture, kitchens, walk-in wardrobes, wardrobes



Drawer SEVROLLBOX SLIM h = 84 mm

| CODE | COLOUR | LENGTH (mm) | COLLECTIVE PACKAGING | PRICED PER |
|--------|----------|-------------|----------------------|------------|
| 222892 | WHITE | 270 | 6 | set |
| 222913 | GRAPHITE | 270 | 6 | set |
| 222893 | WHITE | 300 | 6 | set |
| 222914 | GRAPHITE | 300 | 6 | set |
| 222894 | WHITE | 350 | 6 | set |
| 222915 | GRAPHITE | 350 | 6 | set |
| 222895 | WHITE | 400 | 6 | set |
| 222916 | GRAPHITE | 400 | 6 | set |
| 222896 | WHITE | 450 | 6 | set |
| 222917 | GRAPHITE | 450 | 6 | set |
| 222897 | WHITE | 500 | 6 | set |
| 222918 | GRAPHITE | 500 | 6 | set |
| 222898 | WHITE | 550 | 6 | set |
| 222919 | GRAPHITE | 550 | 6 | set |



Drawer SEVROLLBOX SLIM h = 116 mm

| CODE | COLOUR | LENGTH (mm) | COLLECTIVE PACKAGING | PRICED PER |
|--------|----------|-------------|----------------------|------------|
| 223048 | WHITE | 270 | 6 | set |
| 223055 | GRAPHITE | 270 | 6 | set |
| 223049 | WHITE | 300 | 6 | set |
| 223056 | GRAPHITE | 300 | 6 | set |
| 223050 | WHITE | 350 | 6 | set |
| 223057 | GRAPHITE | 350 | 6 | set |
| 223051 | WHITE | 400 | 6 | set |
| 223058 | GRAPHITE | 400 | 6 | set |
| 223052 | WHITE | 450 | 6 | set |
| 223059 | GRAPHITE | 450 | 6 | set |
| 223053 | WHITE | 500 | 6 | set |
| 223060 | GRAPHITE | 500 | 6 | set |
| 223054 | WHITE | 550 | 6 | set |
| 223061 | GRAPHITE | 550 | 6 | set |



Drawer SEVROLLBOX SLIM h = 167 mm

| CODE | COLOUR | LENGTH (mm) | COLLECTIVE PACKAGING | PRICED PER |
|--------|----------|-------------|----------------------|------------|
| 222899 | WHITE | 270 | 5 | set |
| 222920 | GRAPHITE | 270 | 5 | set |
| 222900 | WHITE | 300 | 5 | set |
| 222921 | GRAPHITE | 300 | 5 | set |
| 222901 | WHITE | 350 | 5 | set |
| 222922 | GRAPHITE | 350 | 5 | set |
| 222902 | WHITE | 400 | 5 | set |
| 222923 | GRAPHITE | 400 | 5 | set |
| 222903 | WHITE | 450 | 5 | set |
| 222924 | GRAPHITE | 450 | 5 | set |
| 222904 | WHITE | 500 | 5 | set |
| 222925 | GRAPHITE | 500 | 5 | set |
| 222905 | WHITE | 550 | 5 | set |
| 222926 | GRAPHITE | 550 | 5 | set |



Drawer SEVROLLBOX SLIM h = 199 mm

| CODE | COLOUR | LENGTH (mm) | COLLECTIVE PACKAGING | PRICED PER |
|--------|----------|-------------|----------------------|------------|
| 222906 | WHITE | 270 | 4 | set |
| 222927 | GRAPHITE | 270 | 4 | set |
| 222907 | WHITE | 300 | 4 | set |
| 222928 | GRAPHITE | 300 | 4 | set |
| 222908 | WHITE | 350 | 4 | set |
| 222929 | GRAPHITE | 350 | 4 | set |
| 222909 | WHITE | 400 | 4 | set |
| 222930 | GRAPHITE | 400 | 4 | set |
| 222910 | WHITE | 450 | 4 | set |
| 222931 | GRAPHITE | 450 | 4 | set |
| 222911 | WHITE | 500 | 4 | set |
| 222932 | GRAPHITE | 500 | 4 | set |
| 222912 | WHITE | 550 | 4 | set |
| 222933 | GRAPHITE | 550 | 4 | set |

i Included: 2 drawer slides, 2 drawer sides, 2 drawer front catches, 2 rear wall connectors and two adjustment covers and packing washers (8pcs)

1.2 DRAWER SEVROLLBOX SLIM

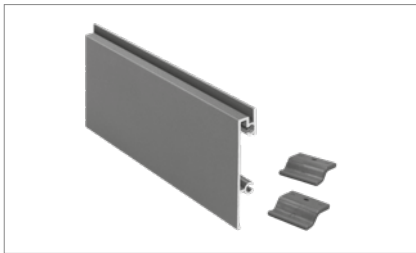
Universal drawer front base profile for internal drawer **Sevrollbox SLIM**



| CODE | COLOUR | LENGTH (mm) | COLLECTIVE PACKAGING | PRICED PER |
|-------|----------|-------------|----------------------|------------|
| 05330 | WHITE | 1080 | 20 | set |
| 05331 | GRAPHITE | 1080 | 20 | set |

i This component is to be trimmed, used to assemble internal drawer fronts

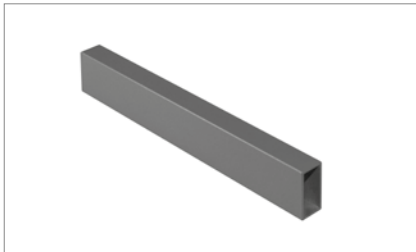
Front base profile for glass internal drawer front **Sevrollbox SLIM**



| CODE | COLOUR | LENGTH (mm) | COLLECTIVE PACKAGING | PRICED PER |
|-------|----------|-------------|----------------------|------------|
| 05343 | WHITE | 1080 | 20 | set |
| 05344 | GRAPHITE | 1080 | 20 | set |

i This component is to be trimmed, used to assemble internal drawer fronts

Universal drawer front railing for internal drawer **Sevrollbox SLIM** and **Slim 3D**



| CODE | COLOUR | LENGTH (mm) | COLLECTIVE PACKAGING | PRICED PER |
|-------|----------|-------------|----------------------|------------|
| 04975 | WHITE | 1200 | 50 | item |
| 04974 | GRAPHITE | 1200 | 50 | item |

i This component is to be trimmed, used to assemble internal drawer fronts

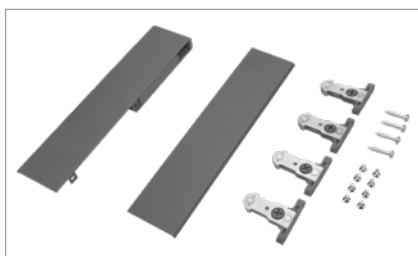
Sevrollbox **SLIM** gallery rails



| CODE | COLOUR | LENGTH (mm) | COLLECTIVE PACKAGING | PRICED PER |
|-------|----------|-------------|----------------------|------------|
| 05351 | WHITE | 270 | 20 | set |
| 05359 | GRAPHITE | 270 | 20 | set |
| 05353 | WHITE | 300 | 20 | set |
| 05360 | GRAPHITE | 300 | 20 | set |
| 05354 | WHITE | 350 | 20 | set |
| 05361 | GRAPHITE | 350 | 20 | set |
| 05355 | WHITE | 400 | 20 | set |
| 05362 | GRAPHITE | 400 | 20 | set |
| 05356 | WHITE | 450 | 20 | set |
| 05363 | GRAPHITE | 450 | 20 | set |
| 05357 | WHITE | 500 | 20 | set |
| 05364 | GRAPHITE | 500 | 20 | set |
| 05358 | WHITE | 550 | 20 | set |
| 05365 | GRAPHITE | 550 | 20 | set |

i Set includes L + R rails and L + R mounting brackets

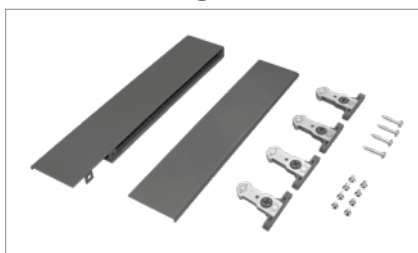
Set for internal drawer **Sevrollbox SLIM**



| CODE | COLOUR | LENGTH (mm) | COLLECTIVE PACKAGING | PRICED PER |
|-------|----------|-------------|----------------------|------------|
| 04971 | WHITE | 84 | 50 | set |
| 04976 | GRAPHITE | 84 | 50 | set |
| 04977 | WHITE | 167 | 20 | set |
| 04972 | GRAPHITE | 167 | 20 | set |
| 04978 | WHITE | 199 | 20 | set |
| 04973 | GRAPHITE | 199 | 20 | set |

i These elements are for producing internal drawer fronts

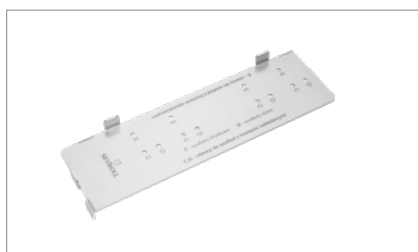
Glass front fitting Set for internal drawer front **Sevrollbox SLIM**



| CODE | COLOUR | LENGTH (mm) | COLLECTIVE PACKAGING | PRICED PER |
|-------|----------|-------------|----------------------|------------|
| 05346 | WHITE | 84 | 50 | set |
| 05345 | GRAPHITE | 84 | 50 | set |
| 05348 | WHITE | 167 | 20 | set |
| 05347 | GRAPHITE | 167 | 20 | set |
| 05350 | WHITE | 199 | 20 | set |
| 05349 | GRAPHITE | 199 | 20 | set |

i These elements are for producing internal drawer fronts

SEVROLLBOX SLIM II drawer front template



| CODE | COLOUR | COLLECTIVE PACKAGING | PRICED PER |
|-------|--------|----------------------|------------|
| 05338 | STEEL | 1 | item |

i Details on pages 28 - 29

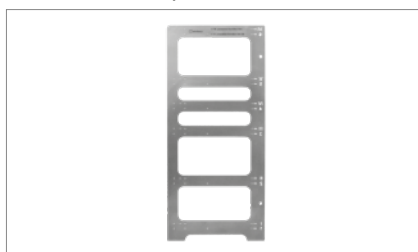
SEVROLLBOX SLIM II template for slides



| CODE | COLOUR | COLLECTIVE PACKAGING | PRICED PER |
|-------|--------|----------------------|------------|
| 05337 | STEEL | 1 | item |

i Details on pages 30 - 31

Universal template for drawers **Sevrollbox Slim** and **Slim 3D**

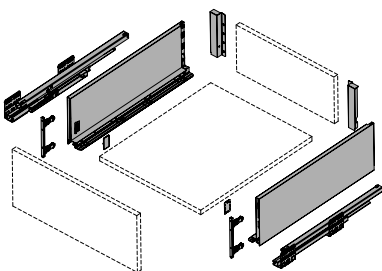
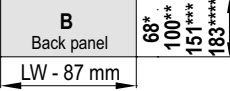
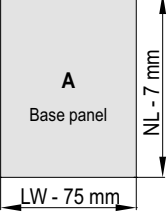
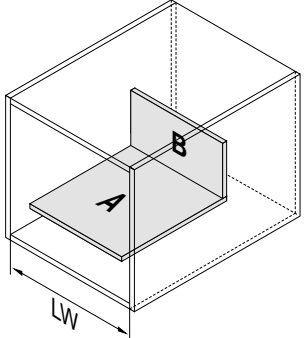


| CODE | COLOUR | COLLECTIVE PACKAGING | PRICED PER |
|-------|--------|----------------------|------------|
| 06069 | STEEL | 1 | item |

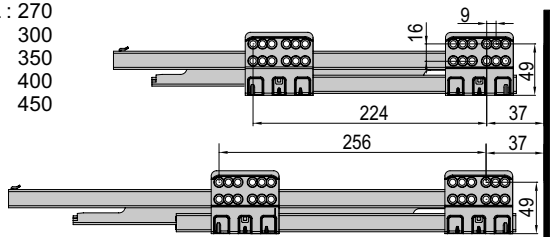
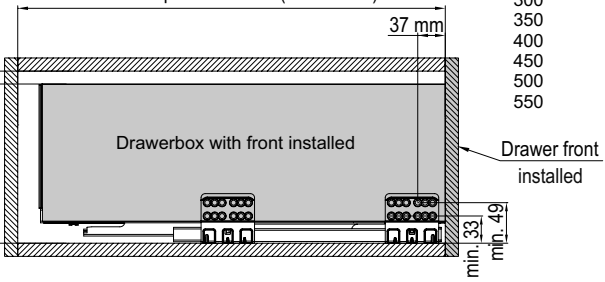
i Template used to plan the most popular combinations of drawers for Sevrollbox Slim 3D and Sevrollbox Slim

1.2 DRAWER SEVROLLBOX SLIM – Height 84*/116**/167***/199**** mm

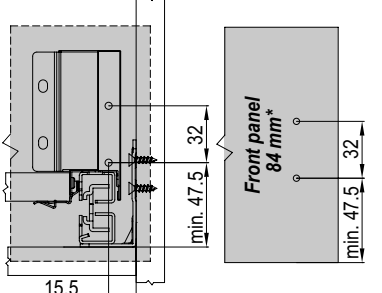
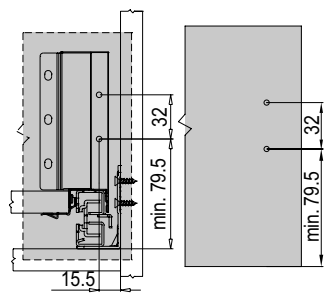
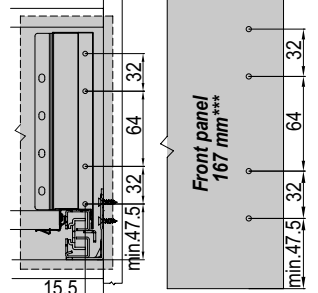
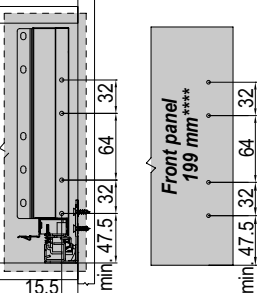
ATTENTION: * dimensions for drawers 84 mm / ** dimensions for drawers 116 mm / *** dimensions for drawers 167 mm / **** dimensions for drawers 199 mm

| Components | Cutting dimensions of 16 mm MDF | |
|---|--|---|
|  <p>ATTENTION! screws are not included</p> |  <p>B Back panel 68* 100** 151*** 183**** LW - 87 mm</p> |  <p>A Base panel NL - 7 mm LW - 75 mm</p> |
| |  <p>LW</p> | <p>NL : 270 [mm] 300 350 400 450 500 550</p> <p>A - Base panel B - Back panel LW – internal cabinet width NL – nominal length of drawer</p> |

Drawer slide positioning and required space between drawers

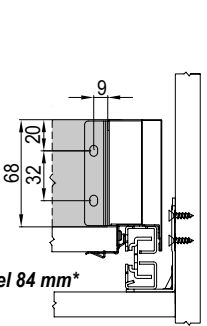
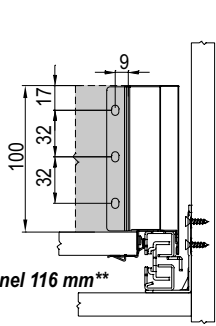
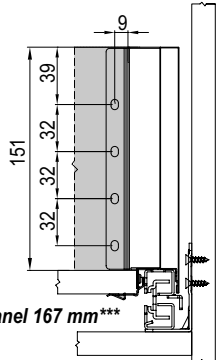
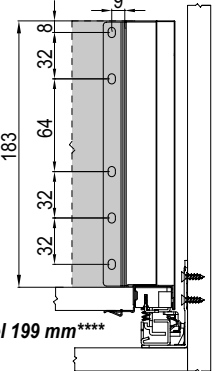
| | |
|--|---|
| <p>Slide NL : 270 300 350 400 450</p>  <p>Slide NL : 500 550</p> | <p>Minimal depth of cabinet: (NL + 3 mm)</p> <p>NL: 270 [mm] 300 350 400 450 500 550</p>  <p>Drawerbox with front installed Drawer front installed min. 33 min. 49</p> <p>Warning: in drawers with recessed fronts, the slides should be positioned further back by the thickness of the drawer front!</p> |
|--|---|

Mounting dimensions for drawer front panel

| | | | |
|---|---|---|---|
|  <p>Front panel 84 mm*</p> |  <p>Front panel 116 mm**</p> |  <p>Front panel 167 mm***</p> |  <p>Front panel 199 mm****</p> |
|---|---|---|---|

To precisely drill your holes we recommend using Sevroll templates: for assembly of drawer front mounts (05338) / for assembly of drawer guides (05337)

Mounting dimensions of back panel

| | | | |
|--|--|--|--|
|  <p>Back panel 84 mm*</p> |  <p>Back panel 116 mm**</p> |  <p>Back panel 167 mm***</p> |  <p>Back panel 199 mm****</p> |
|--|--|--|--|

Drawer assembly

To precisely drill your holes we recommend using Sevroll templates for assembly of drawer front mounts (05338)

If you find the drawer base panel is loose when fitted to the drawer sides, you can pack the fixing points with washers

Drawer front regulation

Side adjustment within ± 1.5 mm

Height adjustment within ± 2.0 mm

Locking

Drawer insertion

„Click“

Drawer front panel removal

When releasing the drawer front be sure rotate the screws in the correct direction

1. Rotate the screw anti clockwise until resistance
2. Rotate the screw clockwise until resistance
3. Drawer front is unblocked. Pull it towards you carefully and remove from drawer.

Additionally: For ease of assembly (especially with full overlay fronts) you can withdraw the slides. Hold in the highlighted position and use the release catches.

„Click“

Drawer removal

release slides drawer removal

Drawer strengthening

>600 mm

We recommend additional reinforcement for drawers with a width greater than 600 mm:

- A** - screw the bottom of the drawer to the drawer back using three 3.5 x 30 screws
- B** - screwing the bottom of the drawer to the drawer front using steel bracket (40343) and 3.5x13 screws

1.2 DRAWERS SEVROLLBOX SLIM

Set for internal drawer drawer front

Components:

| | | |
|---|--|--|
| <p>Drawer SEVROLLBOX SLIM h = 84 mm / h = 167 mm / h = 199 mm</p> <p>Length: 270 [mm] 300 350 400 450 500 550</p> | <p>Universal drawer front base profile for internal drawer SEVROLLBOX SLIM</p> <p>1080 115</p> | <p>Universal drawer front railing for internal drawer SEVROLLBOX SLIM</p> <p>1200 11 20</p> <p>Only for use with SEVROLLBOX SLIM h = 167 mm and h = 199 mm</p> |
| <p>Set for internal drawer SEVROLLBOX SLIM h = 84 mm</p> <p>R L 114</p> <p>4x20 Screws for "drawer front base profile"</p> <p>M3x7 Screws for "Set for internal drawer"</p> | <p>Set for internal drawer SEVROLLBOX SLIM h = 167 mm</p> <p>R L 196</p> <p>4x20 Screws for "drawer front base profile"</p> <p>M3x7 Screws for "Set for internal drawer"</p> | <p>Set for internal drawer SEVROLLBOX SLIM h = 199 mm</p> <p>R L 228</p> <p>4x20 Screws for "drawer front base profile"</p> <p>M3x7 Screws for "Set for internal drawer"</p> |

Cutting dimensions of profiles

| | | |
|--|--|--|
| <p>NL : 270 [mm] 300 350 400 450 500 550</p> <p>LW</p> <p>LW – internal width of carcass NL – nominal length of the drawer</p> | <p>Universal drawer front base profile</p> <p>$L_p = LW - 100 \text{ mm}$</p> | <p>Universal drawer front railing</p> <p>$L_r = LW - 87 \text{ mm}$</p> |
|--|--|--|

Calculations for the back wall and base of the drawer can be found in the instructions SEVROLLBOX SLIM

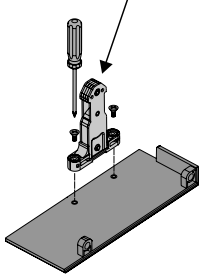
Mounting dimensions

| | | |
|---|---|---|
| <p>SEVROLLBOX SLIM h = 84 mm</p> <p>min. 120 min. 38 min. 54</p> | <p>SEVROLLBOX SLIM h = 167 mm</p> <p>min. 203 min. 38 min. 54</p> | <p>SEVROLLBOX SLIM h = 199 mm</p> <p>min. 236 min. 38 min. 54</p> |
| <p>minimum carcass length: (NL + 3 mm)</p> <p>37 mm</p> <p>Drawer with flush front</p> <p>The front of the drawer sits level with the carcass edges</p> | <p>minimum carcass length: (NL + 12 mm)</p> <p>37 mm 9 mm</p> <p>Drawer with inset front</p> <p>ATTENTION! To ensure that the drawers cover the high front applied, the slides should be taken back by 9 mm (one hole in the slide) into the carcass</p> | |

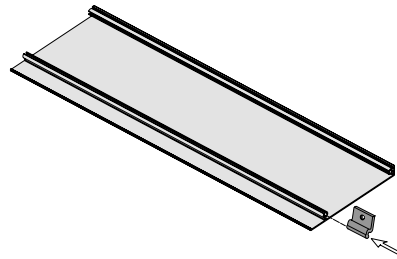
Set for internal drawer drawer front

Installing the drawer front for SEVROLLBOX SLIM h = 84 mm

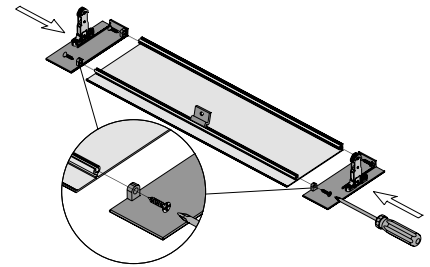
ATTENTION! Use the drawer front catches supplied with your **Sevrollbox Slim** drawer h = 84 mm



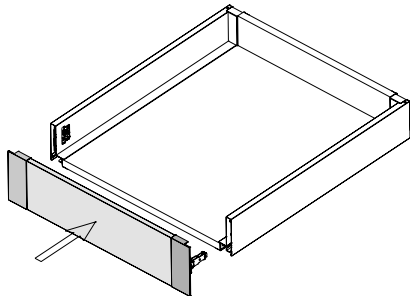
1



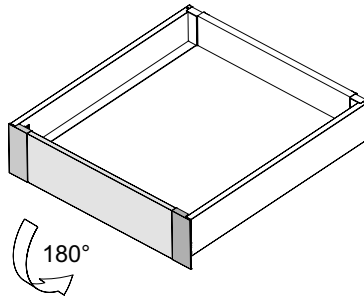
2



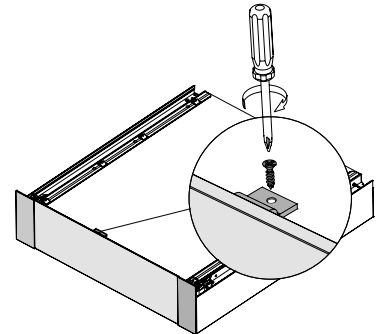
3



4



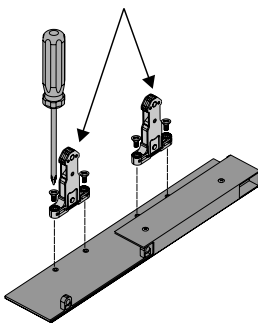
5



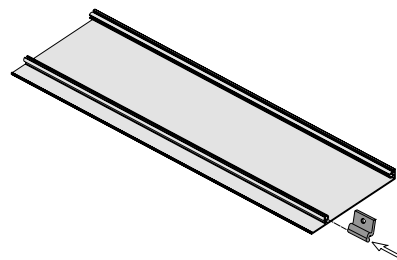
6

Installing the drawer front for SEVROLLBOX SLIM h = 167 mm and h = 199 mm

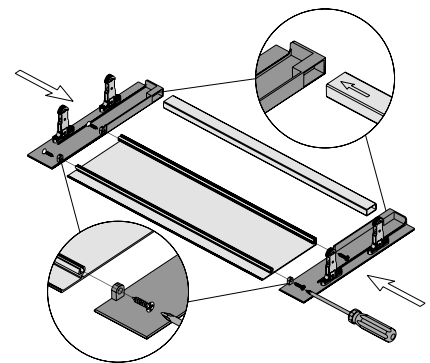
ATTENTION! Use the drawer front catches supplied with your **Set for internal drawer SEVROLLBOX SLIM** h = 167 mm and h = 199 mm



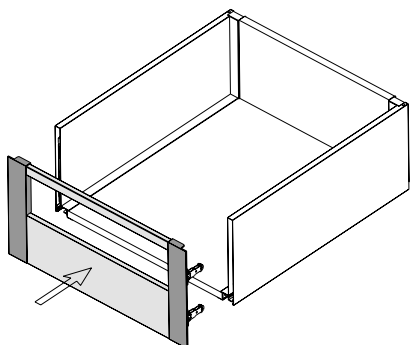
1



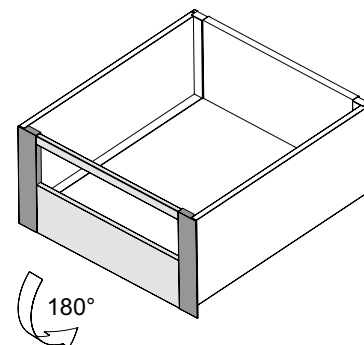
2



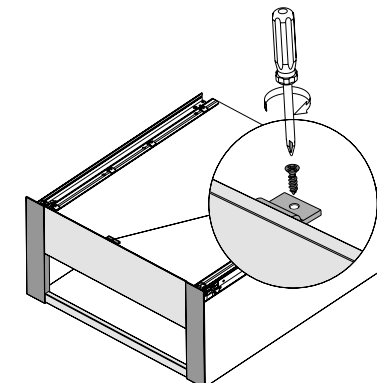
3



4



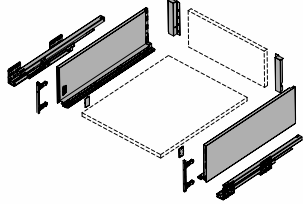
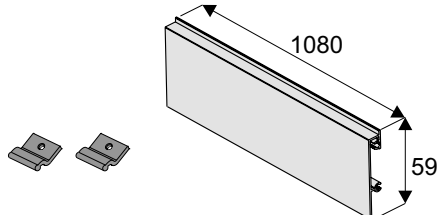
5

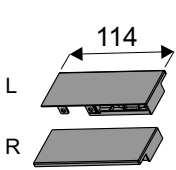

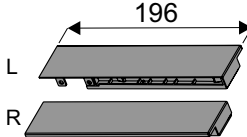

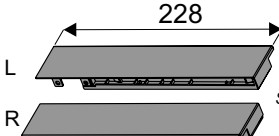



6

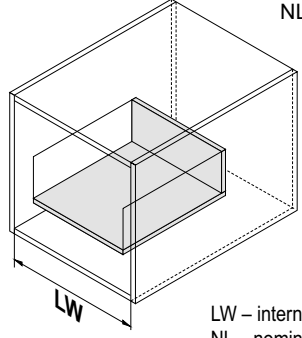
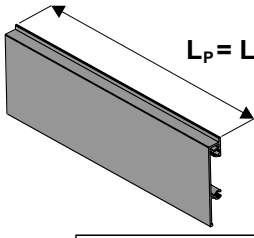
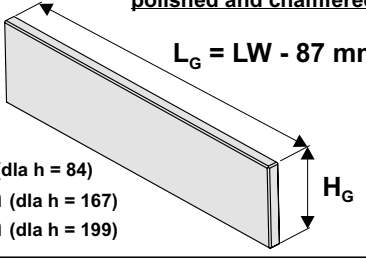
1.2 DRAWERS SEVROLLBOX SLIM

GLASS front fitting Set for internal drawer front

| | |
|--|---|
| <p>Drawer SEVROLLBOX SLIM h = 84 mm / h = 167 mm / h = 199 mm</p>  <p>Length: 270 [mm] 300 350 400 450 500 550</p> | <p>Front base profile for glass internal drawer front SEVROLLBOX SLIM</p>  |
|--|---|

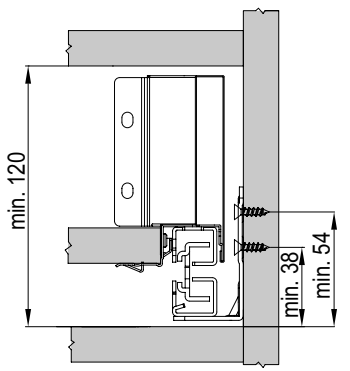
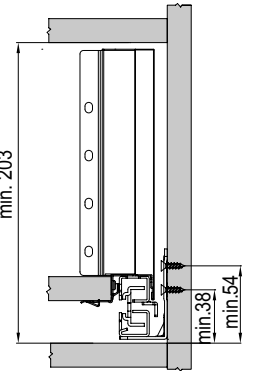
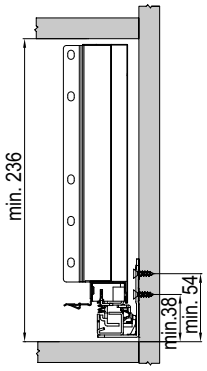
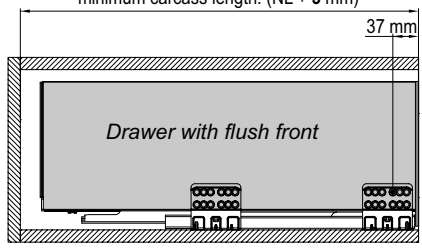
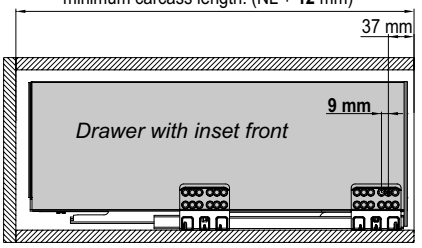
| | | |
|--|---|---|
| <p>Glass front fitting Set for internal drawer front SEVROLLBOX SLIM h = 84 mm</p>  <p>4x20 Screws for "front base profile for glass"</p>  <p>M3x7 Screws for "Set for internal drawer"</p> | <p>Glass front fitting Set for internal drawer front SEVROLLBOX SLIM h = 167 mm</p>  <p>4x20 Screws for "front base profile for glass"</p>  <p>M3x7 Screws for "Set for internal drawer"</p> | <p>Glass front fitting Set for internal drawer front SEVROLLBOX SLIM h = 199 mm</p>  <p>4x20 Screws for "front base profile for glass"</p>  <p>M3x7 Screws for "Set for internal drawer"</p> |
|--|---|---|

Cutting dimensions of profiles

| | | |
|---|--|--|
|  <p>NL : 270 [mm] 300 350 400 450 500 550</p> <p>LW – internal width of carcass NL – nominal length of the drawer</p> | <p>Front base profile for glass internal drawer front</p>  <p>$L_p = LW - 100 \text{ mm}$</p> | <p>Glass # 8 mm</p> <p>Edges should be polished and chamfered!</p>  <p>$L_g = LW - 87 \text{ mm}$</p> <p>H_G: 54 mm (dla h = 84) 138 mm (dla h = 167) 170 mm (dla h = 199)</p> |
|---|--|--|

Calculations for the back wall and base of the drawer can be found in the instructions SEVROLLBOX SLIM

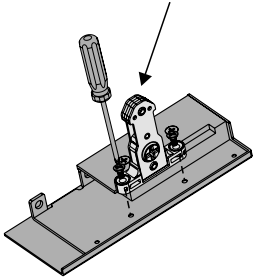
Mounting dimensions

| | | |
|---|---|--|
| <p>SEVROLLBOX SLIM h = 84 mm</p>  | <p>SEVROLLBOX SLIM h = 167 mm</p>  | <p>SEVROLLBOX SLIM h = 199 mm</p>  |
| <p>minimum carcass length: (NL + 3 mm)</p>  <p><i>Drawer with flush front</i></p> <p>The front of the drawer sits level with the carcass edges</p> | <p>minimum carcass length: (NL + 12 mm)</p>  <p><i>Drawer with inset front</i></p> <p>ATTENTION! To ensure that the drawers cover the high front applied, the slides should be taken back by 9 mm (one hole in the slide) into the carcass</p> | |

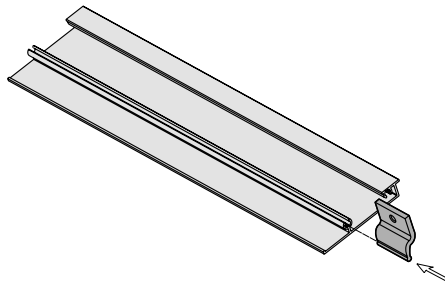
GLASS front fitting Set for internal drawer front

Installing the glass drawer front for SEVROLLBOX SLIM h = 84 mm

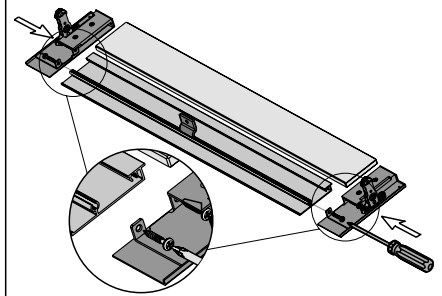
ATTENTION! Use the drawer front catches supplied with your **Sevrollbox Slim drawer h = 84 mm**



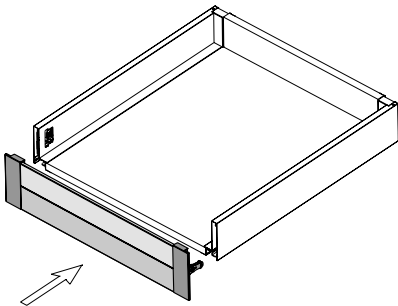
1



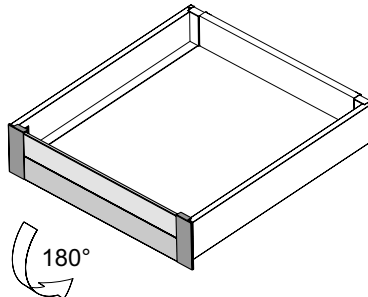
2



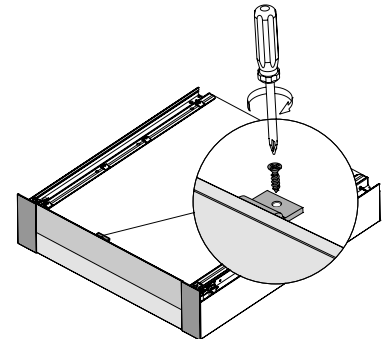
3



4



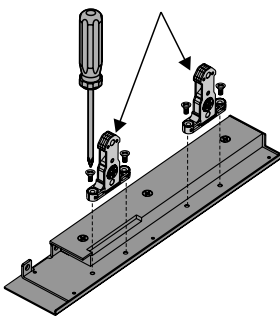
5



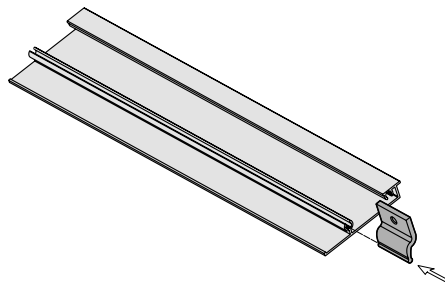
6

Installing the glass drawer front for SEVROLLBOX SLIM h = 167 mm and h = 199 mm

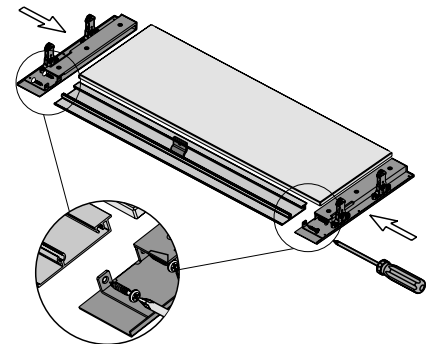
ATTENTION! Use the drawer front catches supplied with your **Set for internal drawer SEVROLLBOX SLIM h = 167 mm and h = 199 mm**



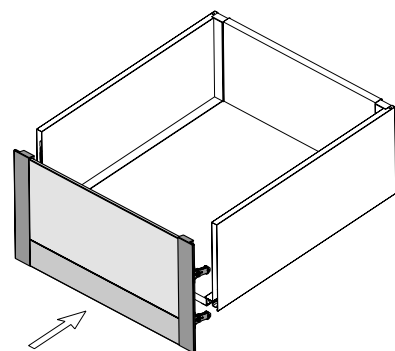
1



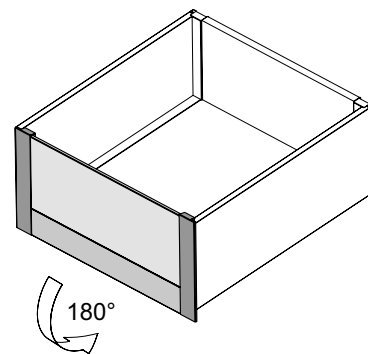
2



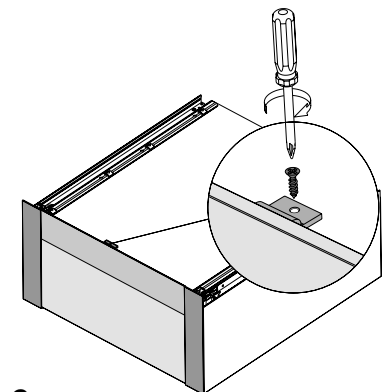
3



4



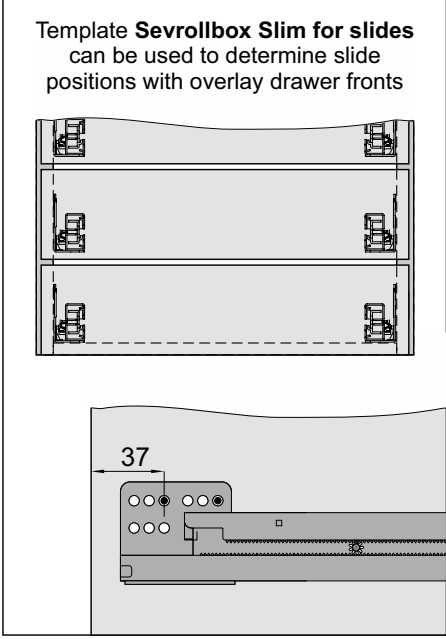
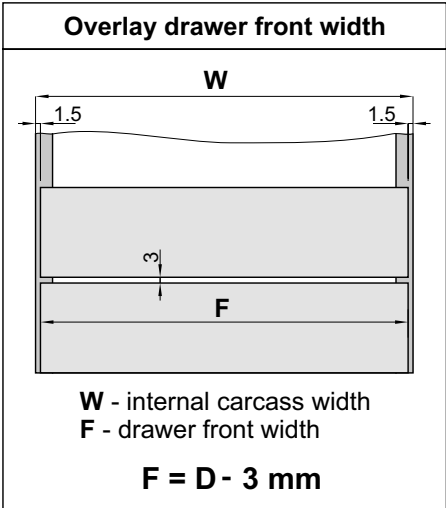
5



6

1.2 TEMPLATE SEVROLLBOX SLIM II

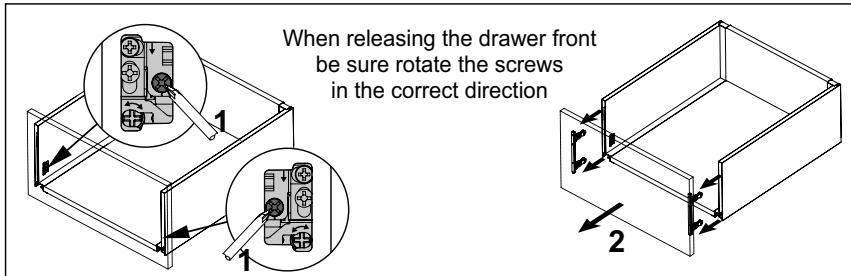
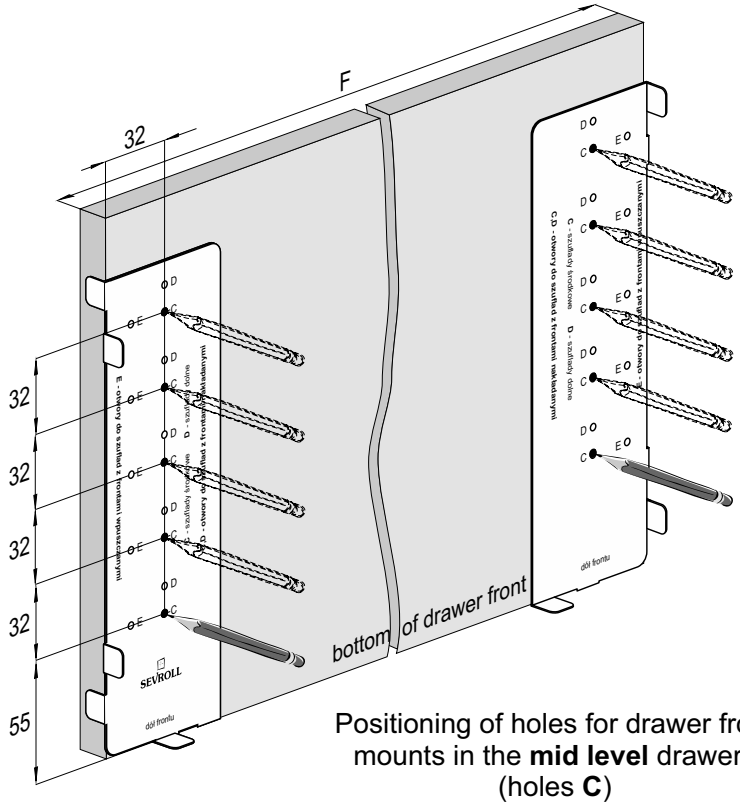
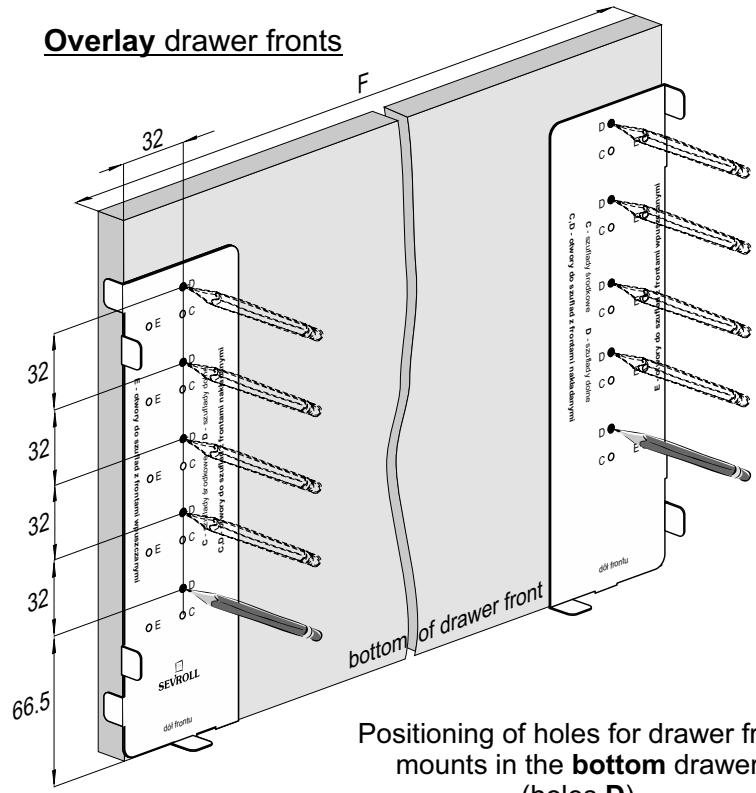
drawer front



Important information

Sevroll offers the templates: **Sevrollbox Slim for slides** (index: **05337**) and **Universal template for drawers Sevrollbox Slim and Slim 3D** (index: **06069**) for determining the hole positioning for slides in Sevrollbox Slim drawers.

Overlay drawer fronts

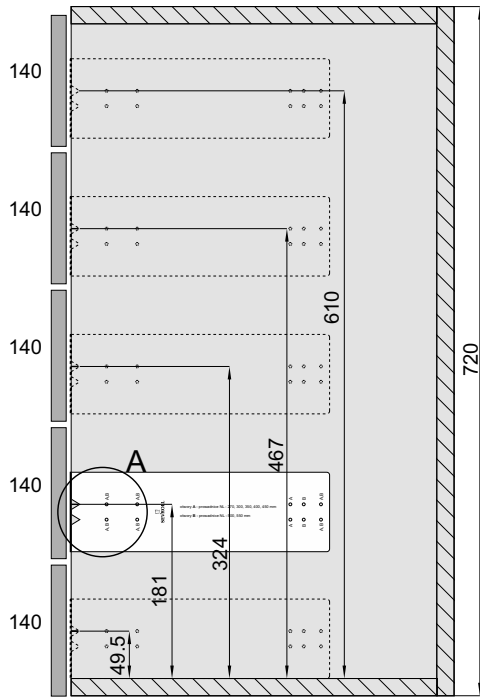


1.2 TEMPLATE SEVROLLBOX SLIM II

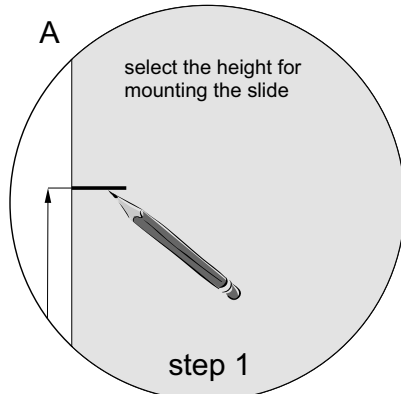
for slides

Marking holes for attaching the slides to Sevrollbox Slim drawers with **overlays** fronts

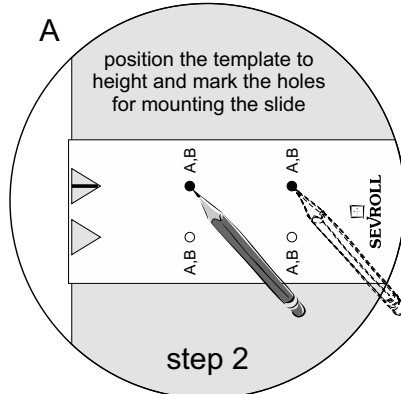
The height of Sevrollbox Slim slides in furniture carcasses (height 720 mm)
- 4 variants



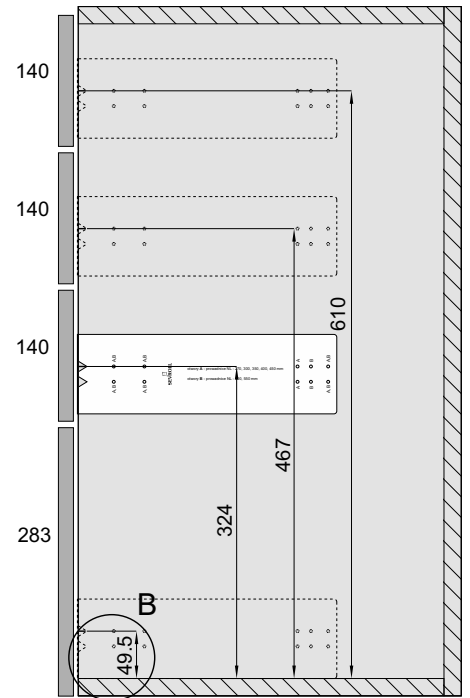
variant 1- x5



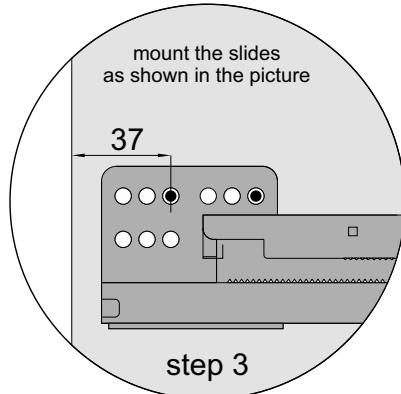
step 1



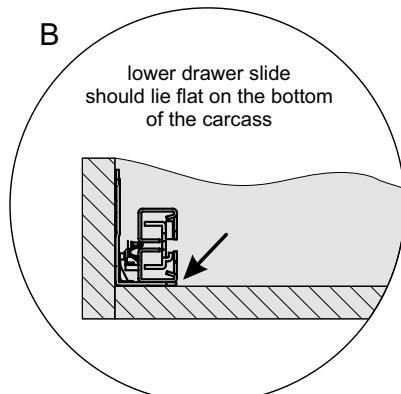
step 2



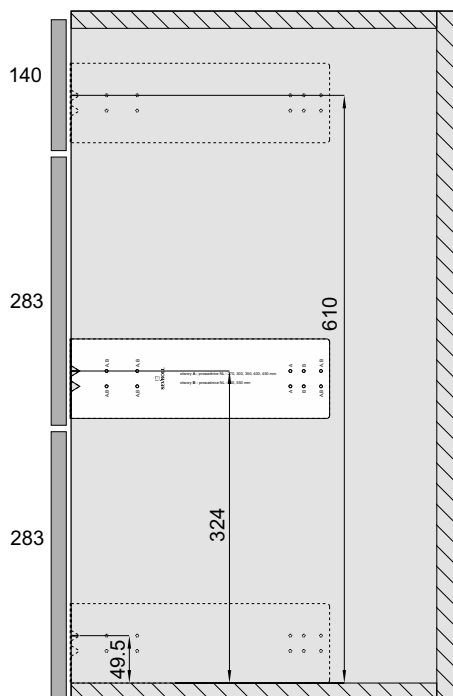
variant 2 - 3+1



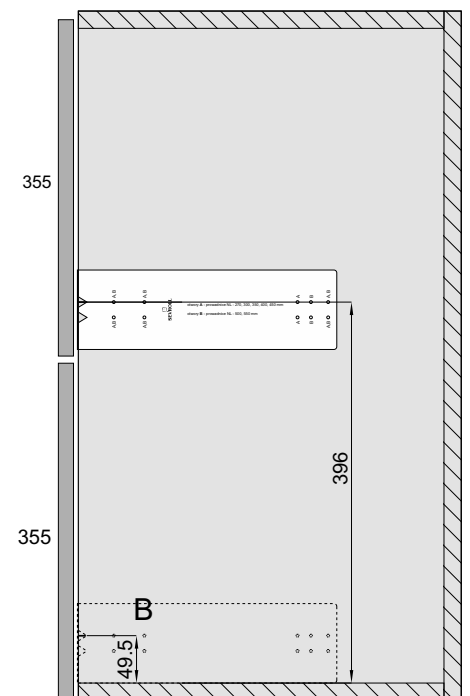
step 3



B



variant 3 - 1+2

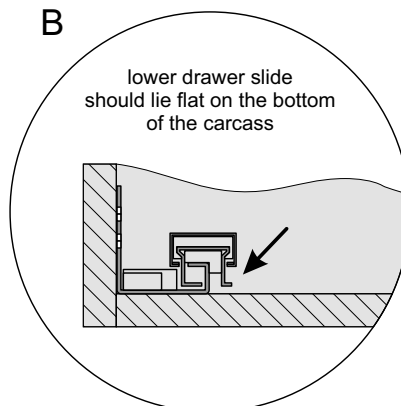
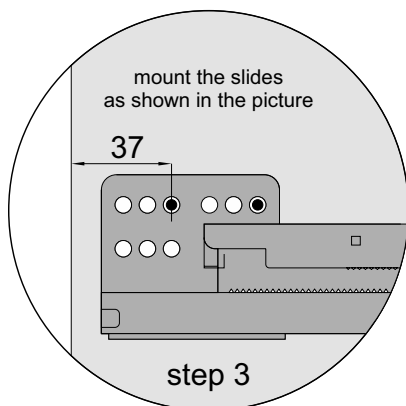
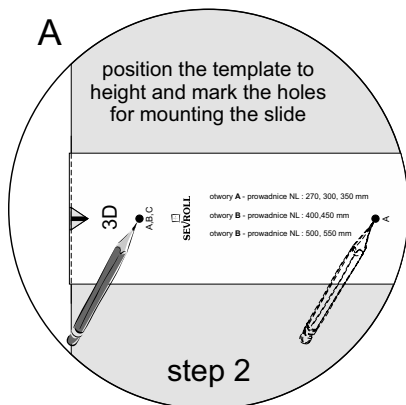
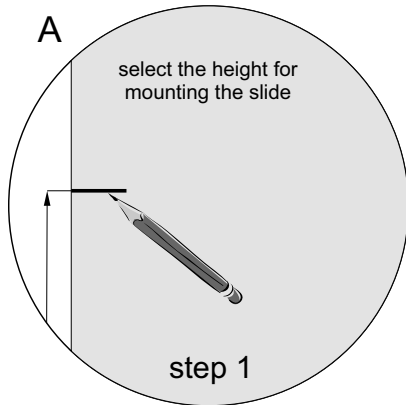


variant 4 - x2

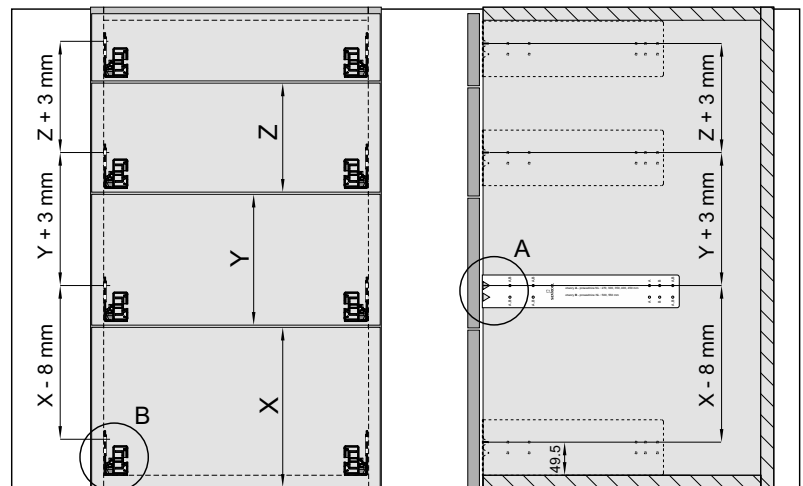
for slides

Marking holes for attaching the slides to Sevrollbox Slim drawers with **overlays** fronts

Any height of carcass, quantity and drawer front height

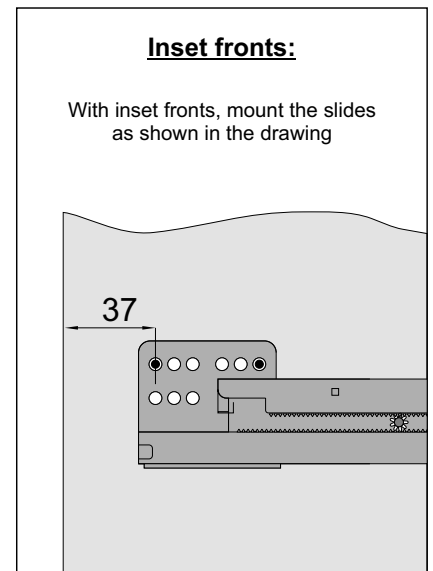


Position of the drawer slides



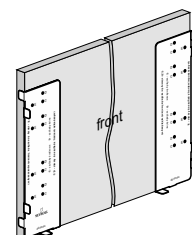
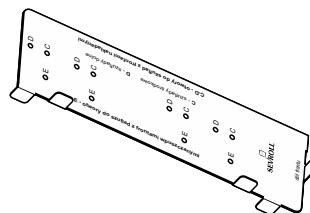
X - Drawer front height of the lower drawer

Y, Z, ... - height of successive drawer front height of successive drawers (excluding the bottom drawer)



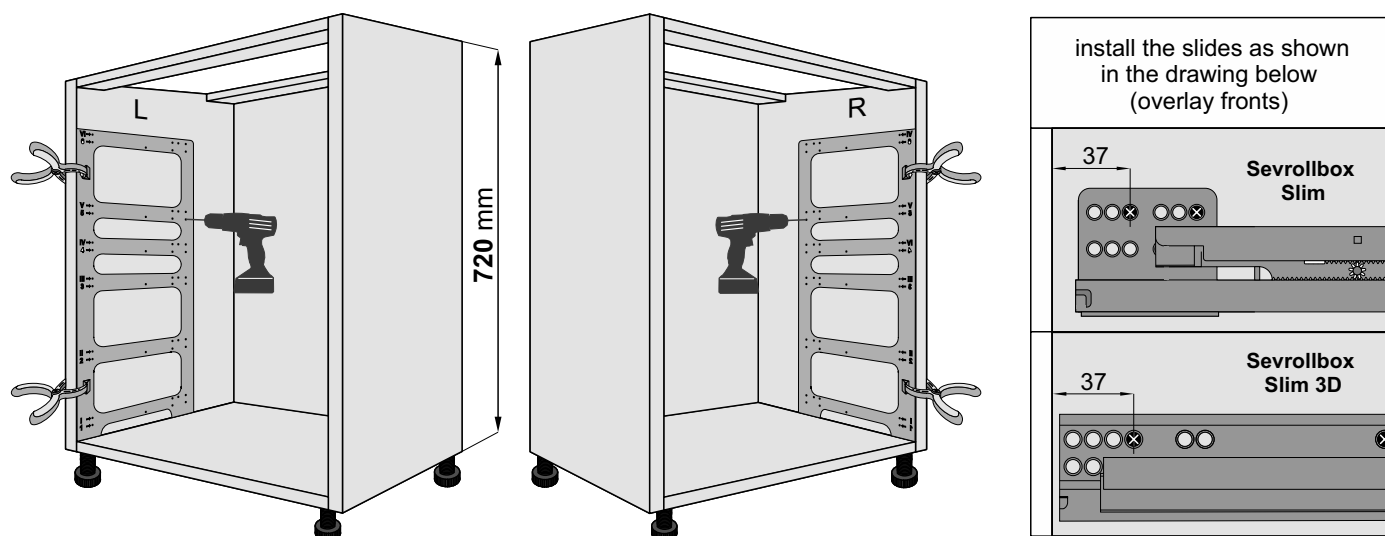
Important information

Sevroll's offer also includes the template Sevrollbox Slim for drawer fronts (**index: 05338**). This is used for marking the holes to mount drawer fronts to Sevrollbox Slim drawers.



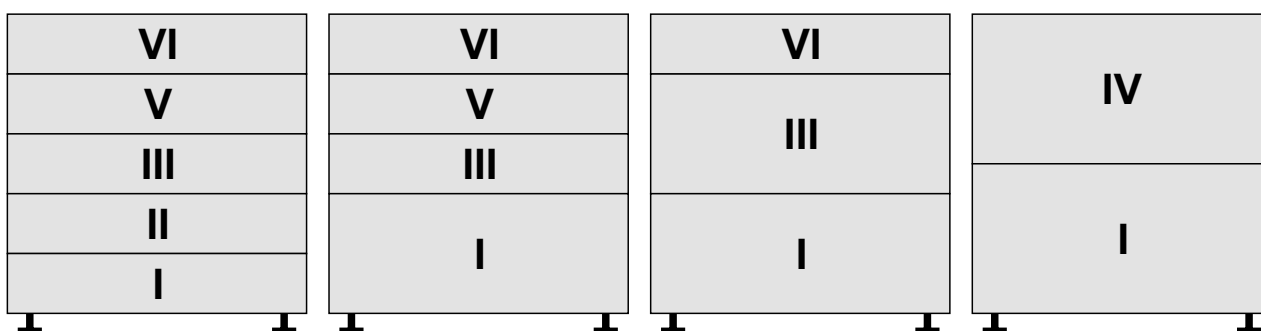
1.1 UNIVERSAL TEMPLATE FOR DRAWERS

SEVROLLBOX SLIM AND SLIM 3D (INSTALLATION OF DRAWER SLIDES)

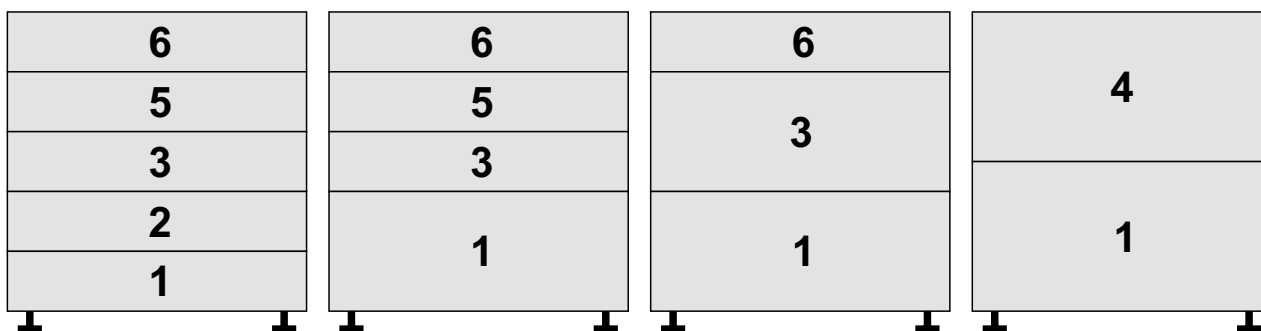


1. Template must be placed on the side of the frame as shown in the drawing (clamps can be used)
2. Depending on the position of the fronts, we drill holes for slide mounting in the suitable places on the template (drill $\varnothing 2.5$ mm)

Sevrollbox Slim drawers - use template holes in positions I-VI



Sevrollbox Slim 3D drawers - use template holes in places 1-6

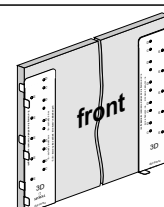
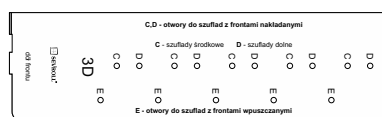


Important information

Sevroll's offer also includes the template:

- Sevrollbox Slim for drawer fronts (**Index: 05338**)
- Sevrollbox Slim 3D for drawer fronts (**Index: 06064**)

This is used for marking the holes to mount drawer fronts to Sevrollbox Slim drawers.



NEW!

3D PROJECT

free programme for drawer design

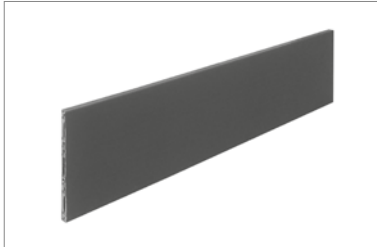


- ▶ Fantastic solution to calculate formulas for drawers and slides*
- ▶ Intuitive interface
- ▶ All information in one place
- ▶ Professional tool for all carpenters

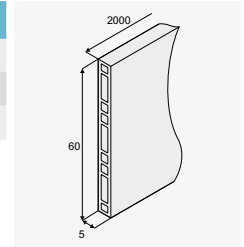
* applies to drawers Sevrollbox Slim 3D, Sevrollbox Slim, undermount slides DXS-3D synchro with soft-close, undermount slides DXS-3D synchro with system PUSH, undermount slides DXS-3D synchro with system PUSH with fastening for synchronising bar, full extension ball-bearing slides with soft-close and pull-out ladders.

1.3 DRAWERS ACCESSORIES

Drawer accessories **Dividing wall 60x2000 mm**



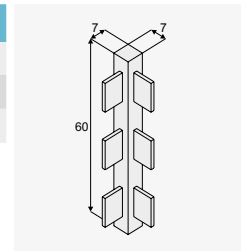
| CODE | COLOUR | LENGTH (mm) | COLLECTIVE PACKAGING | PRICED PER |
|--------|-------------|-------------|----------------------|------------|
| 222965 | WHITE | 60 | 20 | item |
| 222955 | GRAPHITE | 60 | 20 | item |
| 222959 | VELVET-GREY | 60 | 20 | item |



Drawer accessories **Two-sided wall connector**



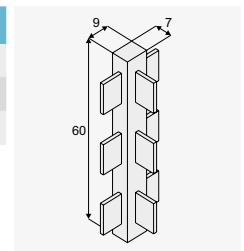
| CODE | COLOUR | LENGTH (mm) | COLLECTIVE PACKAGING | PRICED PER |
|--------|-------------|-------------|----------------------|------------|
| 222966 | WHITE | 60 | 10 | set |
| 222956 | GRAPHITE | 60 | 10 | set |
| 222960 | VELVET-GREY | 60 | 10 | set |



Drawer accessories **Three-sided wall connector**



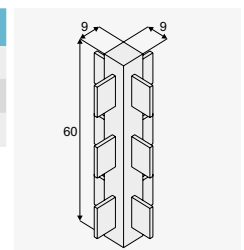
| CODE | COLOUR | LENGTH (mm) | COLLECTIVE PACKAGING | PRICED PER |
|--------|-------------|-------------|----------------------|------------|
| 222967 | WHITE | 60 | 10 | set |
| 222957 | GRAPHITE | 60 | 10 | set |
| 222961 | VELVET-GREY | 60 | 10 | set |



Drawer accessories **Four-sided wall connector**



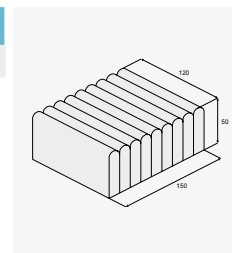
| CODE | COLOUR | LENGTH (mm) | COLLECTIVE PACKAGING | PRICED PER |
|--------|-------------|-------------|----------------------|------------|
| 222968 | WHITE | 60 | 10 | set |
| 222958 | GRAPHITE | 60 | 10 | set |
| 222962 | VELVET-GREY | 60 | 10 | set |



Drawer accessories **Inlay for earings 120x150x50 mm**



| CODE | COLOUR | DIMENSIONS (mm) | COLLECTIVE PACKAGING | PRICED PER |
|--------|-------------|-----------------|----------------------|------------|
| 222963 | VELVET-GREY | 120 x 150 x 50 | 100 | item |



Drawer accessories **Self-adhesive insert 1000x1500 mm**



| CODE | COLOUR | DIMENSIONS (mm) | COLLECTIVE PACKAGING | PRICED PER |
|--------|-------------|-----------------|----------------------|------------|
| 222964 | VELVET-GREY | 1000 x 1500 | 1 | roll |

i Self-adhesive material for lining drawer interior

Drawer accessories **Steel angle fixing – galvanised**



| CODE | COLOUR | DIMENSIONS (mm) | COLLECTIVE PACKAGING | PRICED PER |
|-------|--------|-----------------|----------------------|------------|
| 40343 | STEEL | 12x21x35 | 40 | item |

i Angle section for strengthening drawer front with base

2.1 UNDERMOUNT DRAWER SLIDES – DXS 3D SYNCHRO

with soft-close



CHARACTERISTICS

| | |
|-------------------------|---|
| ▶ Application | Drawer slides for wooden drawers |
| ▶ Filling | Any material |
| ▶ Available lengths | 250, 300, 350, 400, 450, 500, 550, 600 mm |
| ▶ Construction | Metal, combined with an integrated soft-close |
| ▶ Max. loading | 35 kg |
| ▶ Number of test cycles | 70000 |
| ▶ Colour | N/A |
| ▶ Sales programme | These slides are sold in sets |

USAGE

▶ Carcass furniture, kitchens, walk-in wardrobes, wardrobes, office furnitures, archives

Undermount drawer slides DXS-3D synchro with soft-close

New in Sevroll's offer – Undermount drawer slides DXS-3D synchro, they are designed to create wooden drawers. Their asset is a possibility of using chipboard, plywood as well as the wood.

The main advantages include 3D regulation (3-dimensional adjustment) and full synchronisation of the slides. DXS-3D are designed for 18 mm thick board (can be used with 16 and 19 mm board). Easy assembly, adjustment without tools and soft closing mechanism make the product extremely attractive for the end user.

Undermount drawer slides – DXS 3D synchro with soft-close

| CODE | LENGTH (mm) | COLLECTIVE PACKAGING | PRICED PER |
|-------|-------------|----------------------|------------|
| 05569 | 250 | 10 | set |
| 05407 | 300 | 10 | set |
| 05408 | 350 | 10 | set |
| 05409 | 400 | 10 | set |
| 05410 | 450 | 10 | set |
| 05411 | 500 | 10 | set |
| 05412 | 550 | 10 | set |
| 05626 | 600 | 10 | set |

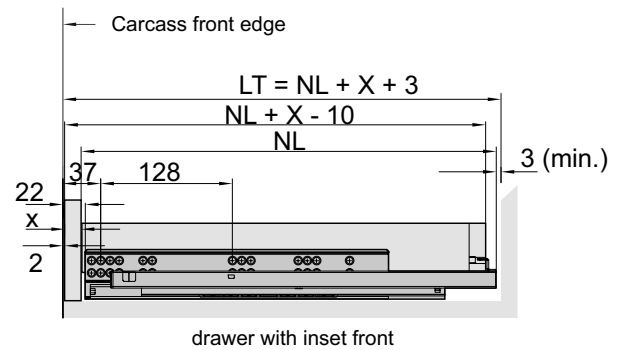
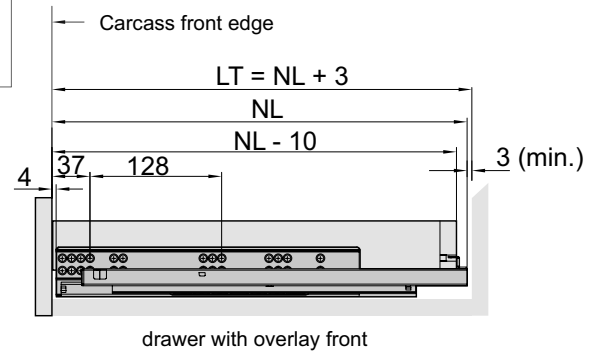
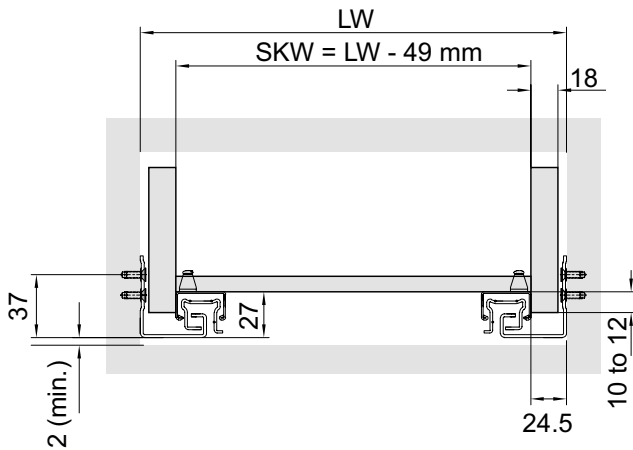
with soft-close

Maximum load for slides: 35 kg
 Slide lengths: 250, 300, 350, 400, 450, 500, 550, 600 mm

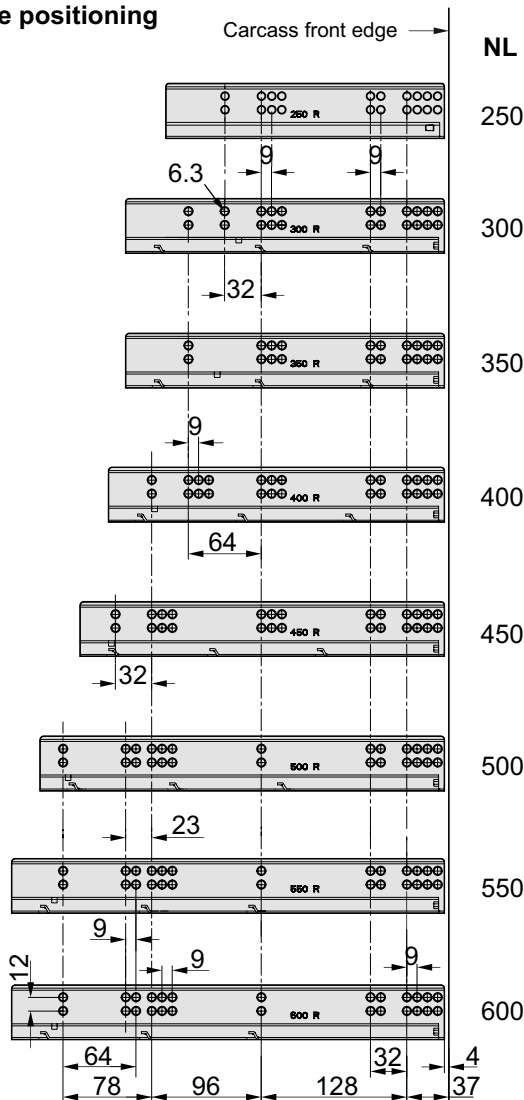
Height adjustment: 0 to 2 mm
 Depth adjustment: 0 to 5 mm
 Width adjustment: 0 to 1.5 mm

NL - nominal length of slide
 LT - internal cabin depth
 Drawer side thickness: 18 mm

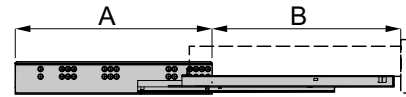
LW - internal cabinet width
 SKW - internal drawer width



Drawer slide positioning

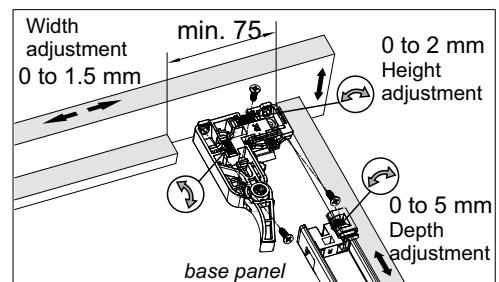
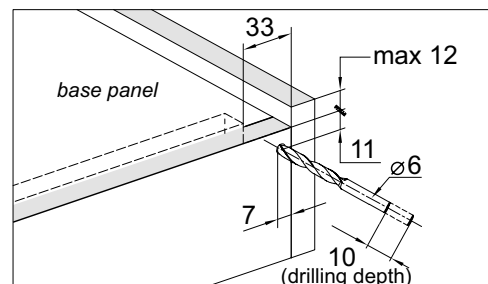


Slide length



| NL | 250 | 300 | 350 | 400 | 450 | 500 | 550 | 600 |
|----|-----|-----|-----|-----|-----|-----|-----|-----|
| A | 250 | 280 | 280 | 295 | 320 | 355 | 380 | 380 |
| B | 200 | 270 | 320 | 370 | 420 | 470 | 520 | 570 |

Mounting dimensions for drawers



To quickly and accurately drill the holes in the back of the drawers we recommended using our drilling jig for drawers with undermount slides (Code 20415)

2.2 UNDERMOUNT DRAWER SLIDES – DXP 3D SYNCHRO

with PUSH system



| CHARACTERISTICS | |
|-------------------------|--------------------------------------|
| ▶ Application | Drawer slides for wooden drawers |
| ▶ Filling | Any material |
| ▶ Available lengths | 250, 300, 350, 400, 450, 500, 550 mm |
| ▶ Construction | Metal, with integrated Push system |
| ▶ Max. loading | 30 kg |
| ▶ Number of test cycles | 70 000 |
| ▶ Colour | N/A |
| ▶ Sales programme | These slides are sold in sets |

| USAGE | |
|--|--|
| ▶ Carcass furniture, kitchens, walk-in wardrobes, wardrobes, office furnitures, archives | |

New in Sevroll's offer – **Undermount drawer slides DXS-3D synchro with PUSH system**, they are designed to create wooden drawers in furniture without classic handles as the drawers open with a PUSH.

The main advantages include 3D regulation (3-dimensional adjustment) and full synchronisation of the slides. DXS-3D are designed for 18 mm thick board. Easy assembly and regulation make the product extremely attractive for the carpenter and end user.

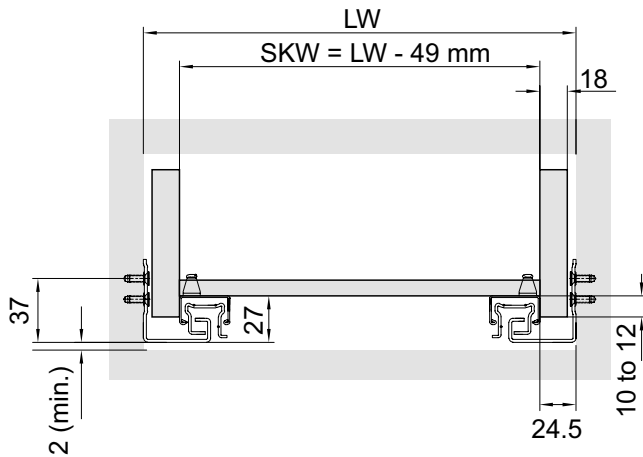
Undermount drawer slides – DXP 3D synchro with PUSH system

| CODE | LENGTH (mm) | COLLECTIVE PACKAGING | PRICED PER |
|-------|-------------|----------------------|------------|
| 05629 | 250 | 10 | set |
| 05630 | 300 | 10 | set |
| 05631 | 350 | 10 | set |
| 05632 | 400 | 10 | set |
| 05633 | 450 | 10 | set |
| 05634 | 500 | 10 | set |
| 05635 | 550 | 10 | set |

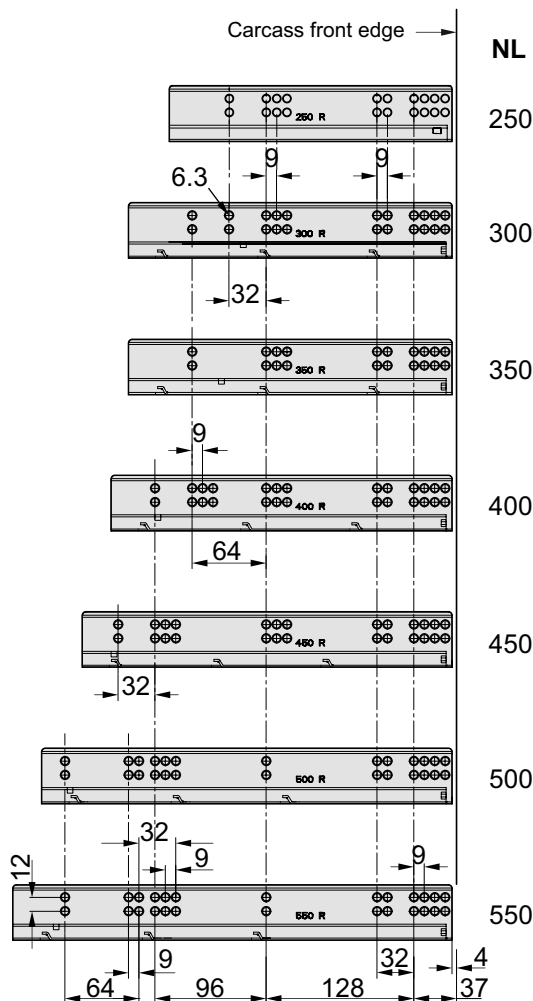
with PUSH system

Maximum load for slides: 30 kg
 Slide lengths: 250, 300, 350, 400, 450, 500, 550 mm
 Height adjustment: 0 to 2 mm
 Depth adjustment: 0 to 4 mm
 Width adjustment: 0 to 1.5 mm

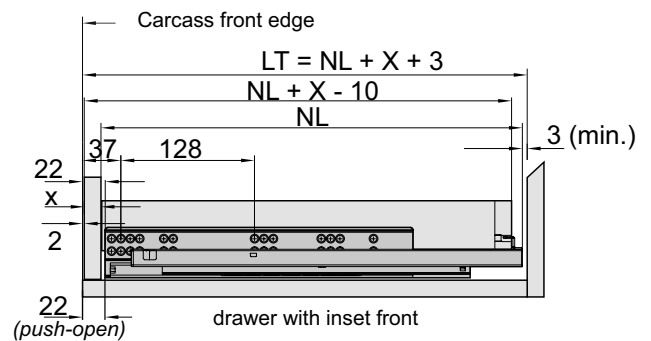
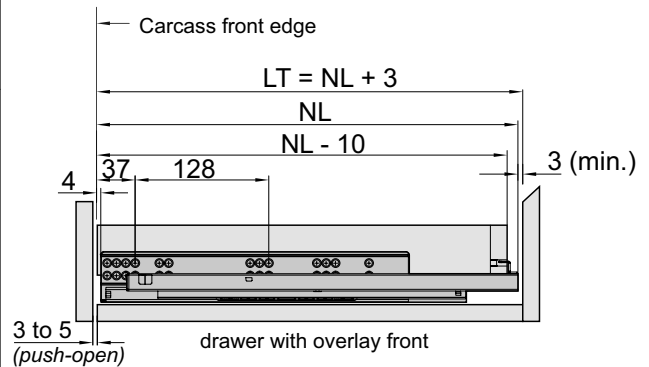
LW - internal cabinet width
 SKW - internal drawer width



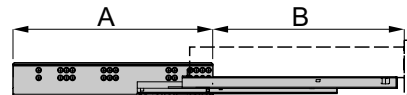
Drawer slide positioning



NL - nominal length of slide
 LT - internal cabin depth
 Drawer side thickness: 18 mm

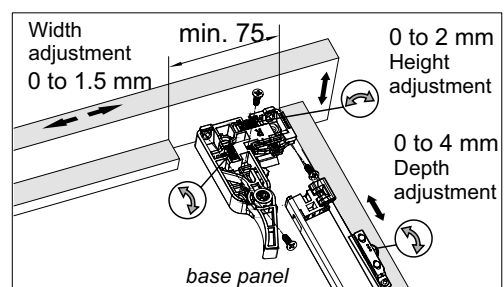
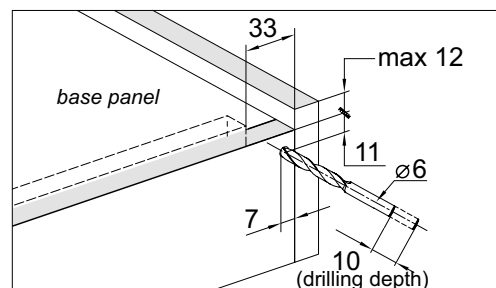


Slide length



| NL | 250 | 300 | 350 | 400 | 450 | 500 | 550 |
|----|-----|-----|-----|-----|-----|-----|-----|
| A | 250 | 280 | 280 | 295 | 320 | 355 | 380 |
| B | 200 | 270 | 320 | 370 | 420 | 470 | 520 |

Mounting dimensions for drawers



To quickly and accurately drill the holes in the back of the drawers we recommended using our drilling jig for drawers with undermount slides (Code 20415)

2.3 UNDERMOUNT DRAWER SLIDES – DXP-D-3D SYNCHRO

with PUSH open and fixing for synchronising bar



CHARACTERISTICS

| | |
|-------------------------|--|
| ▶ Application | Drawer slides for wooden drawers |
| ▶ Filling | Any material |
| ▶ Available lengths | 250, 300, 350, 400, 450, 500, 550 mm |
| ▶ Construction | Metal, with PUSH open and fixing for synchronising bar |
| ▶ Max. loading | 30 kg |
| ▶ Number of test cycles | 70 000 |
| ▶ Colour | N/A |
| ▶ Sales programme | These slides are sold in sets |

USAGE

▶ Carcass furniture, kitchens, walk-in wardrobes, wardrobes, office furnitures, archives

New in Sevroll's offer – **Undermount drawer slides DXP-3D synchro with PUSH system**, they are designed to create wooden drawers in furniture without classic handles as the drawers open with a PUSH.

The main advantages include 3D regulation (3-dimensional adjustment) while the usage of the bar stabilises and increases the rigidity of the slide's operation, therefore drawer opening can be achieved through pressing any place on the front. DXP-3D are designed for 18 mm thick board.

The use of the bar is recommended for drawers wider than 600 mm.

Easy assembly and regulation make the product extremely attractive for the carpenter and end user.

Undermount drawer slides – DXP-D-3D synchro with PUSH open and fixing for synchronising bar

| CODE | LENGTH (mm) | COLLECTIVE PACKAGING | PRICED PER |
|-------|-------------|----------------------|------------|
| 05891 | 250 | 10 | set |
| 05892 | 300 | 10 | set |
| 05893 | 350 | 10 | set |
| 05894 | 400 | 10 | set |
| 05895 | 450 | 10 | set |
| 05896 | 500 | 10 | set |
| 05897 | 550 | 10 | set |



Synchronising bar for DXP-D slides

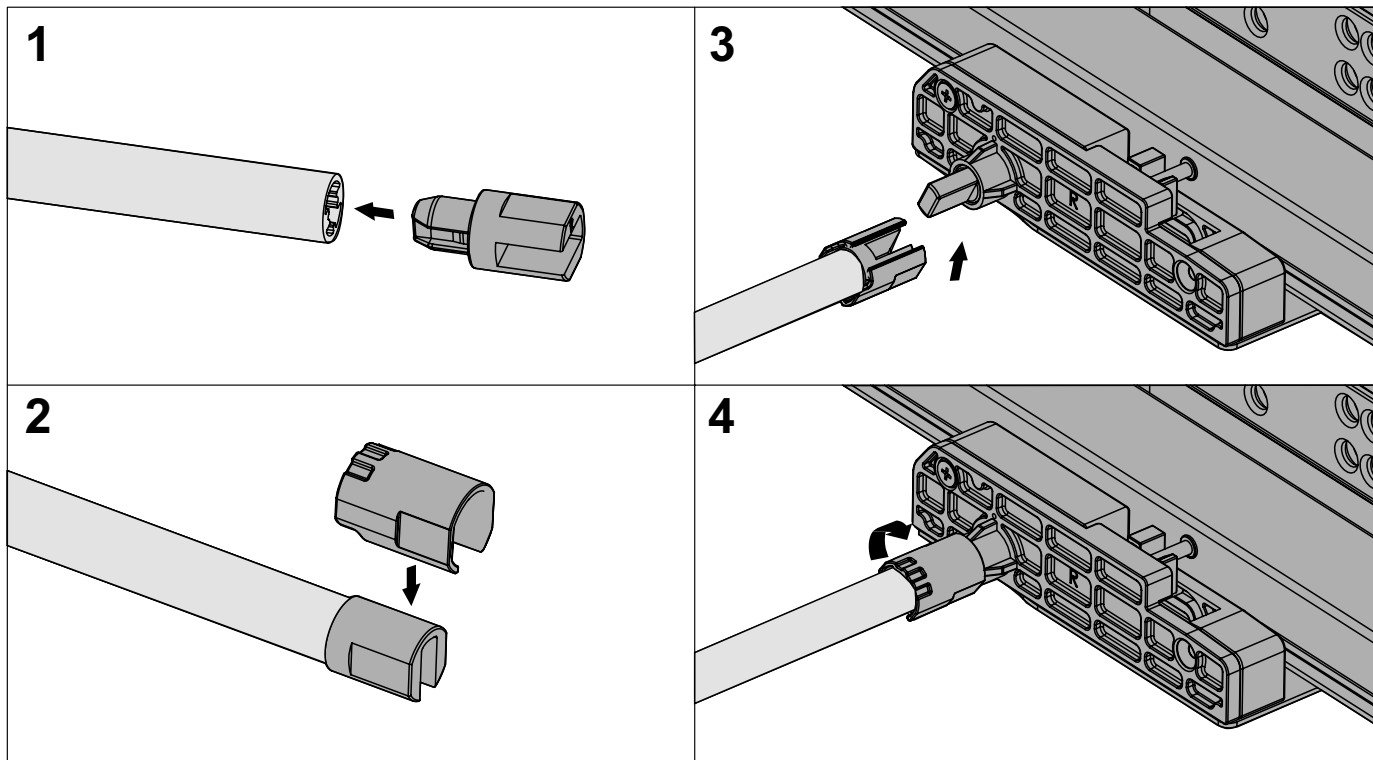
| CODE | LENGTH (mm) | COLLECTIVE PACKAGING | PRICED PER |
|-------|-------------|----------------------|------------|
| 05898 | 1100 | 20 | set |



with PUSH open and fixing for synchronising bar

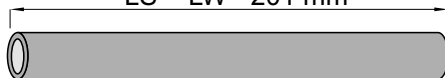
i Assembly instructions for drawer slides DXP-D-3D synchro is identical to assembly instructions for drawer slides DXP-3D synchro on page 39.

Installation of synchronising bar



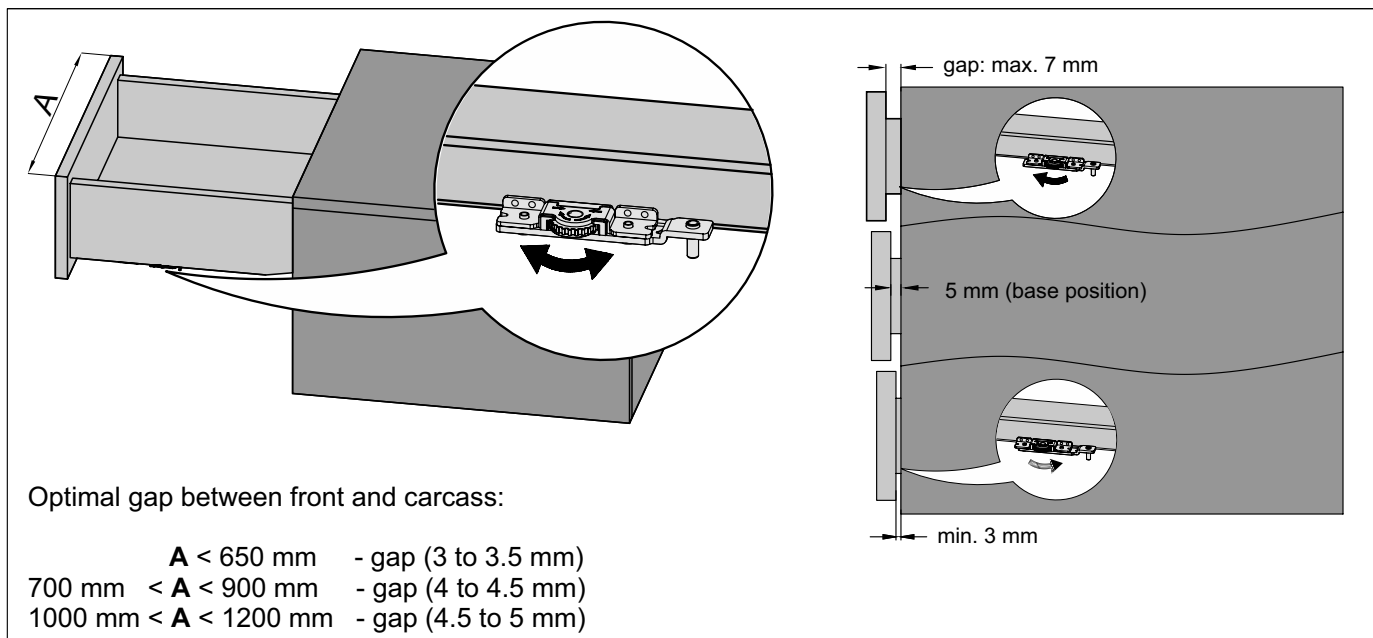
Prior to the installation of synchronising bar, it should be trimmed to the length calculated with the below formula:

$$LS = LW - 201 \text{ mm}$$



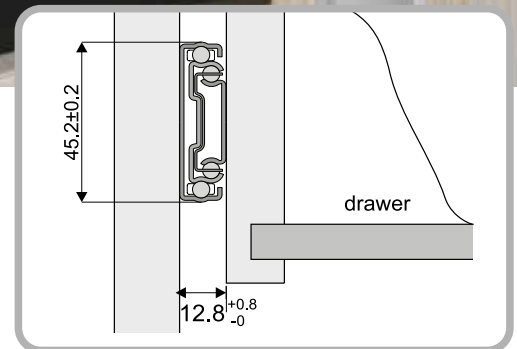
LS- synchronising bar length (mm)

Drawer depth regulation



2.4 BALL BEARING DRAWER SLIDES

Full extension with soft-close



Sevroll's modern and reliable slides

Full extension ball bearing drawer slides with soft-closing mechanism constitute yet another innovative Sevroll product. A compact 45 mm high quality construction is used whilst maintaining high load capacity. They are constructed from metal resistant to deformation. Our soft-close mechanism is supported by a double spring and brass shock absorbing cylinder.

Each guide is equipped with 5 sets of 5 ball bearings on each side to obtain great stability and durability. All complemented by the best of oil solutions used for guide lubrication and maintenance. The wide range of guide lengths (250-600) makes them a great choice for kitchen and office furniture, enabling the creation of spacious and durable drawers.

CHARACTERISTICS

| | |
|-------------------------|--|
| ▶ Application | Slides for wooden drawers |
| ▶ Filling | Any material |
| ▶ Available lengths | 250, 300, 350, 400, 450, 500, 550, 600 mm |
| ▶ Construction | Metal, integrated with in-built soft-closing mechanism |
| ▶ Max. loading | 30 kg |
| ▶ Number of test cycles | 70 000 |
| ▶ Colour | N/A |
| ▶ Sales programme | These slides are sold in sets |

USAGE

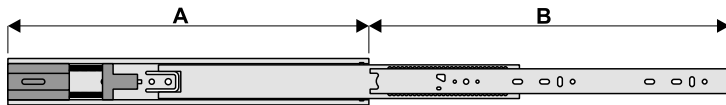
▶ Carcass furniture, kitchens, walk-in wardrobes, wardrobes, office furnitures, archives

Full extension ball bearing drawer slides with soft-close



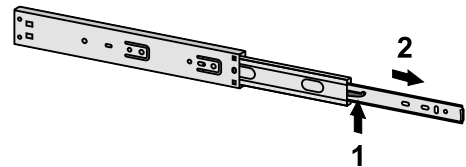
| CODE | LENGTH (mm) | HEIGHT (mm) | COLLECTIVE PACKAGING | PRICED PER |
|-------|-------------|-------------|----------------------|------------|
| 04896 | 250 | 45 | 15 | set |
| 04897 | 300 | 45 | 15 | set |
| 04898 | 350 | 45 | 15 | set |
| 04899 | 400 | 45 | 15 | set |
| 04900 | 450 | 45 | 15 | set |
| 04901 | 500 | 45 | 15 | set |
| 04902 | 550 | 45 | 15 | set |
| 04903 | 600 | 45 | 15 | set |

Slide length

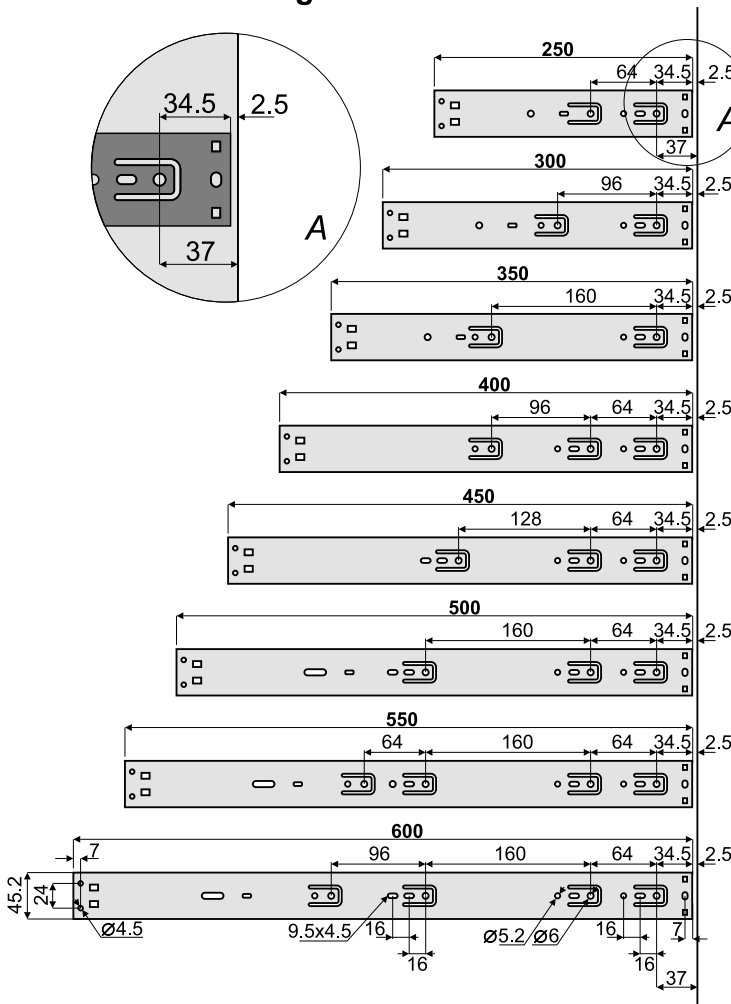


| | A | 250 | 300 | 350 | 400 | 450 | 500 | 550 | 600 |
|----------|-------|-------|-------|-------|-------|-------|-------|-------|-----|
| A | 250 | 300 | 350 | 400 | 450 | 500 | 550 | 600 | |
| B | 192±2 | 268±2 | 343±2 | 382±2 | 452±2 | 503±2 | 550±2 | 600±2 | |

Slide disassembly



Attaching the slide to the carcass



3

HINGES

Soft-close clip-on hinges



Sevroll hinges – the right option for fixing doors

A silent closing mechanism is an option that increases the comfort of furniture use. The use of clip-on hinges together with a silent closing mechanism means that the door is defended against a loud slam. Sour buffering system also works during the final phase of opening – weakened tension during this phase prevents light door fronts from hitting. The standard hinge offer is complemented by a 4 screw universal mounting plate, this accommodates large and heavy door fronts. Hinges with premounting screws and hinges with smooth regulation allow easier and more accurate adjustment. Sevroll always focuses on the quality of workmanship and tested materials, this is why our hinges come with a guarantee of 80,000 open-close cycles. In practice, this ensures many years of reliable operation whilst remaining within full operational parameters.



| CHARACTERISTICS | |
|-------------------------|--|
| ▶ Application | Installation of cabinet doors |
| ▶ Door material | Wooden and MDF board over 18 mm |
| ▶ Construction | High-quality steel alloy |
| ▶ Front thickness | From 15 mm to 25 mm |
| ▶ Number of test cycles | 80 000 |
| ▶ Sales programme | Hinges are sold in both sets and as elements |

| USAGE |
|---|
| ▶ Carcass furniture – installation of doors |

Hinge 3D with eccentric adjustment – hole spacing 45 mm \varnothing 35 mm

FULL OVERLAY hinge 3D with eccentric adjustment – hole spacing 45 mm \varnothing 35 mm,
clip on with soft close (2pcs)



| CODE | COLOUR | COLLECTIVE PACKAGING | PRICED PER |
|--------|--------|----------------------|------------|
| 223112 | SILVER | 50 | set |

i Set includes 2 hinges, 2 mounting plates, plus cup/arm cover caps.
Comfortable 3-dimensional adjustment

HALF OVERLAY HINGE 3D with eccentric adjustment – hole spacing 45 mm \varnothing 35 mm,
clip on with soft close (2pcs)



| CODE | COLOUR | COLLECTIVE PACKAGING | PRICED PER |
|--------|--------|----------------------|------------|
| 223113 | SILVER | 50 | set |

i Set includes 2 hinges, 2 mounting plates, plus cup/arm cover caps.
Comfortable 3-dimensional adjustment

INSET hinge 3D with eccentric adjustment – hole spacing 45 mm \varnothing 35 mm,
clip on with soft close (2 pcs)



| CODE | COLOUR | COLLECTIVE PACKAGING | PRICED PER |
|--------|--------|----------------------|------------|
| 223114 | SILVER | 50 | set |

i Set includes 2 hinges, 2 mounting plates, plus cup/arm cover caps.
Comfortable 3-dimensional adjustment

3 SOFT-CLOSE CLIP-ON HINGES

Hinges, hole spacing 45 mm ø35 mm

OVERLAY hinge, hole spacing 45 mm ø35 mm – soft-close clip-on hinges (2 pcs)



| CODE | COLOUR | COLLECTIVE PACKAGING | PRICED PER |
|--------|--------|----------------------|------------|
| 223032 | SILVER | 50 | set |

i Set includes 2 hinges, 2 mounting plates, plus cup/arm cover caps.

HALF OVERLAY hinge, hole spacing 45 mm ø35 mm – soft-close clip-on hinges (2 pcs)



| CODE | COLOUR | COLLECTIVE PACKAGING | PRICED PER |
|--------|--------|----------------------|------------|
| 223033 | SILVER | 50 | set |

i Set includes 2 hinges, 2 mounting plates, plus cup/arm cover caps.

INSET hinge, hole spacing 45 mm ø35 mm – soft-close clip-on hinges (2 pcs)



| CODE | COLOUR | COLLECTIVE PACKAGING | PRICED PER |
|--------|--------|----------------------|------------|
| 223034 | SILVER | 50 | set |

i Set includes 2 hinges, 2 mounting plates, plus cup/arm cover caps.

Hinges without spring, hole spacing 45 mm ø35 mm

OVERLAY hinge, hole spacing 45mm dia 35mm - soft-close clip-on hinges (2 pcs)



| CODE | COLOUR | COLLECTIVE PACKAGING | PRICED PER |
|--------|--------|----------------------|------------|
| 223132 | SILVER | 50 | set |

i Set includes 2 hinges, 2 mounting plates, plus cup/arm cover caps

Hinges without mounting plate with ECCENTRIC ADJUSTMENT, hole spacing 45 mm ø35 mm

FULL OVERLAY hinge with eccentric adjustment, hole spacing 45 mm ø35 mm,
clip on with soft-close (1 pc.)



| CODE | COLOUR | COLLECTIVE PACKAGING | PRICED PER |
|--------|--------|----------------------|------------|
| 223115 | SILVER | 100 | item |

i Set includes 2 hinges, 2 mounting plates, plus cup/arm cover caps.

HALF OVERLAY hinge with eccentric adjustment, hole spacing 45 mm ø35 mm,
clip on with soft-close (1 pc.)



| CODE | COLOUR | COLLECTIVE PACKAGING | PRICED PER |
|--------|--------|----------------------|------------|
| 223116 | SILVER | 100 | item |

i Set includes 2 hinges, 2 mounting plates, plus cup/arm cover caps.

INSET hinge with eccentric adjustment hole spacing 45 mm ø35 mm, clip on with soft-close (1 pc.)



| CODE | COLOUR | COLLECTIVE PACKAGING | PRICED PER |
|--------|--------|----------------------|------------|
| 223117 | SILVER | 100 | item |

i Set includes 2 hinges, 2 mounting plates, plus cup/arm cover caps.

i With hinges you must also purchase mounting plates from page 49

3 SOFT-CLOSE CLIP-ON HINGES

Hinges without mounting plate, hole spacing 45 mm ø35 mm

OVERLAY hinge without mounting plate – hole spacing 45 mm ø35 mm – soft-close clip-on hinges (1 pc.)



| CODE | COLOUR | COLLECTIVE PACKAGING | PRICED PER |
|--------|--------|----------------------|------------|
| 222969 | SILVER | 100 | item |

i Hinge without mounting plate sold individually.

HALF OVERLAY hinge without mounting plate –hole spacing 45 mm ø35 mm –soft-close clip-on hinges (1 pc.)



| CODE | COLOUR | COLLECTIVE PACKAGING | PRICED PER |
|--------|--------|----------------------|------------|
| 222970 | SILVER | 100 | item |

i Hinge without mounting plate sold individually.

INSET hinge without mounting plate – hole spacing 45 mm ø35 mm – soft-close clip-on hinges (1 pc.)



| CODE | COLOUR | COLLECTIVE PACKAGING | PRICED PER |
|--------|--------|----------------------|------------|
| 222971 | SILVER | 100 | item |

i Hinge without mounting plate sold individually.

i With hinges you must also purchase mounting plates from page 49.

Mounting plates, cover caps

Universal mounting plate with premounting screws



| CODE | COLOUR | COLLECTIVE PACKAGING | PRICED PER |
|--------|--------|----------------------|------------|
| 222974 | SILVER | 100 | item |

i Universal mounting plate sold individually

Universal mounting plate with 4 symmetrical holes



| CODE | COLOUR | COLLECTIVE PACKAGING | PRICED PER |
|--------|--------|----------------------|------------|
| 223031 | SILVER | 100 | item |

i Universal mounting plate sold individually

Universal mounting plate with eccentric height adjustment



| CODE | COLOUR | COLLECTIVE PACKAGING | PRICED PER |
|--------|--------|----------------------|------------|
| 223018 | SILVER | 400 | item |

i Universal mounting plate sold individually

Universal hinge cup cover cap



| CODE | COLOUR | COLLECTIVE PACKAGING | PRICED PER |
|-----------|--------|----------------------|------------|
| 222972-SV | SILVER | 1500 | item |

Universal hinge arm cover cap



| CODE | COLOUR | COLLECTIVE PACKAGING | PRICED PER |
|-----------|--------|----------------------|------------|
| 222973-SV | SILVER | 1500 | item |

3 SOFT-CLOSE CLIP-ON HINGES

ANGLED Hinge, hole spacing 45 mm ø35 mm

ANGLED Hinge 30°, hole spacing 45 ø35 mm soft-close clip-on hinges (2 pcs)



| CODE | COLOUR | COLLECTIVE PACKAGING | PRICED PER |
|--------|--------|----------------------|------------|
| 223043 | SILVER | 50 | set |

i Set includes 2 hinges, 2 mounting plates, plus cup/arm cover caps and screws. Additionally these hinges have eccentric depth regulation. Used for front thickness from 14 mm to 22 mm

ANGLED Hinge 45°, hole spacing 45 ø35 mm soft-close clip-on hinges (2 pcs)



| CODE | COLOUR | COLLECTIVE PACKAGING | PRICED PER |
|--------|--------|----------------------|------------|
| 223044 | SILVER | 50 | set |

i Set includes 2 hinges, 2 mounting plates, plus cup/arm cover caps and screws. Additionally these hinges have eccentric depth regulation. Used for front thickness from 14 mm to 22 mm

ANGLED Hinge 90°, hole spacing 45 ø35 mm soft-close clip-on hinges (2 pcs)



| CODE | COLOUR | COLLECTIVE PACKAGING | PRICED PER |
|--------|--------|----------------------|------------|
| 223045 | SILVER | 50 | set |

i Set includes 2 hinges, 2 mounting plates, plus cup/arm cover caps and screws. Additionally these hinges have eccentric depth regulation. Used for front thickness from 14 mm to 22 mm

ANGLED Hinge 135°, hole spacing 45 ø35 mm clip-on hinges (2 pcs)



| CODE | COLOUR | COLLECTIVE PACKAGING | PRICED PER |
|--------|--------|----------------------|------------|
| 223046 | SILVER | 50 | set |

i Set includes 2 hinges, 2 mounting plates, plus cup/arm cover caps and screws. Used for front thickness from 14 mm to 22 mm

ANGLED hinge 155° ZERO PROTRUSION, hole spacing 45 ø35 mm soft-close clip-on hinges (2 pcs)



| CODE | COLOUR | COLLECTIVE PACKAGING | PRICED PER |
|--------|--------|----------------------|------------|
| 223094 | SILVER | 50 | set |

i Set includes 2 hinges, 2 mounting plates, plus cup/arm cover caps and screws. Additionally these hinges have eccentric depth regulation. Used for front thickness from 16 mm to 24 mm

ANGLED Hinge, hole spacing 45 mm ø35 mm

FULL OVERLAY Hinge 165°, hole spacing 45 ø35 mm soft-close clip-on hinges (2 pcs)



| CODE | COLOUR | COLLECTIVE PACKAGING | PRICED PER |
|--------|--------|----------------------|------------|
| 223047 | SILVER | 50 | set |

i Set includes 2 hinges, 2 mounting plates, plus cup/arm cover caps and screws. Additionally these hinges have eccentric depth regulation. Used for front thickness from 14 mm to 26 mm

Stencil for hinges

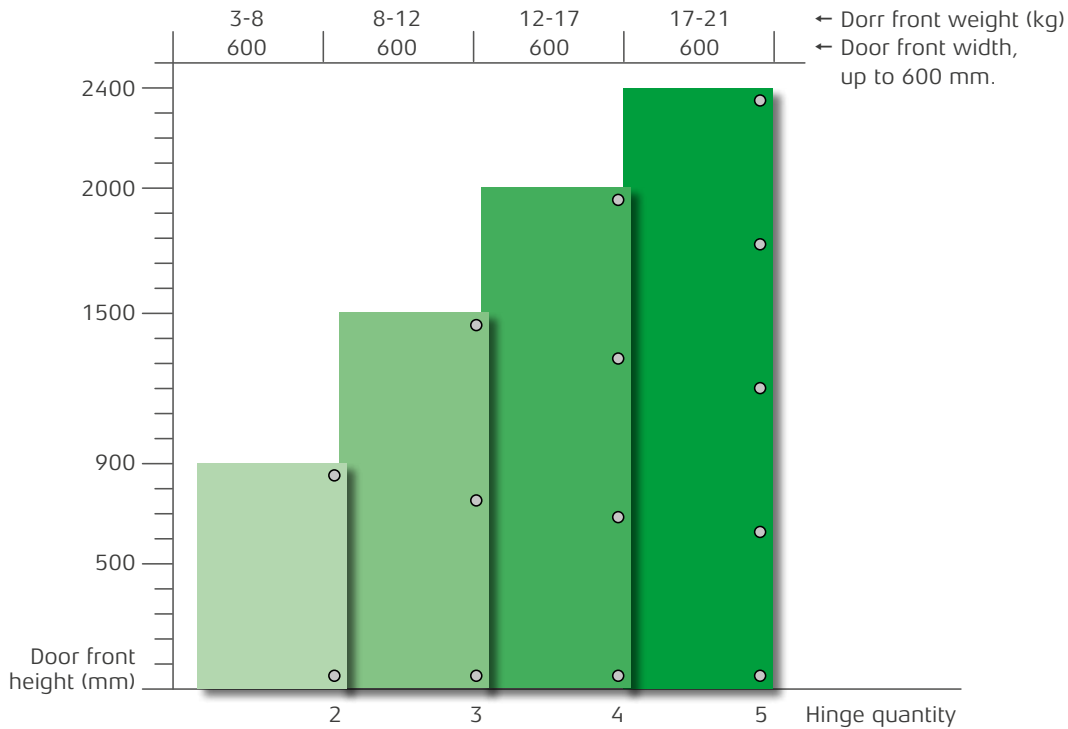
Stencil for hinges-hole spacing 45 ø35 mm



| CODE | COLOUR | COLLECTIVE PACKAGING | PRICED PER |
|-------|--------|----------------------|------------|
| 40476 | RED | 100 | item |

HINGE QUANTIFIER

Determine the number of hinges required, depending on the height and weight of door fronts used



HINGE QUANTITY IS DEPENDENT ON:

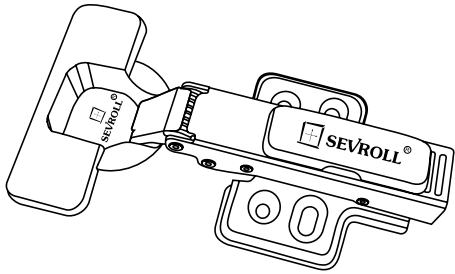
- Door front width and height
- Door front weight
- Door front material

For example: You should use 3 hinges if the door front height is 1500 mm and the weight is between 8-12 kg.

3 SOFT-CLOSE CLIP-ON HINGES

- Hinges 3D WITH ECCENTRIC ADJUSTMENT, hole spacing 45 mm ø35 mm
- Soft-close clip-on hinges, hole spacing 45 mm ø35 mm
- Hinges without spring, hole spacing 45 mm ø35 mm

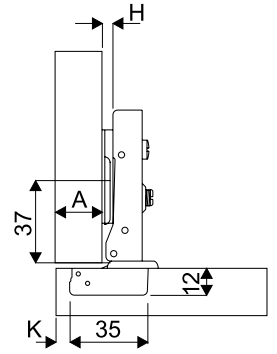
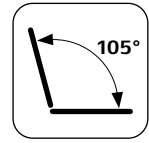
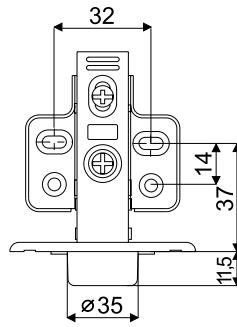
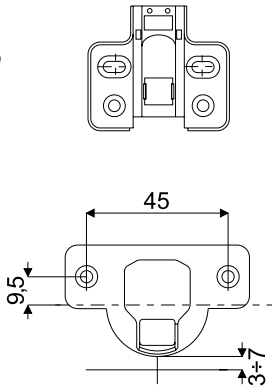
OVERLAY hinge



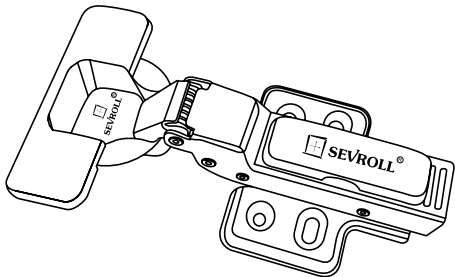
Mounting plate H=0

| | | | | | |
|---|----|----|----|----|----|
| K | 3 | 4 | 5 | 6 | 7 |
| A | 17 | 18 | 19 | 20 | 21 |

K – cup distance
A – overlay



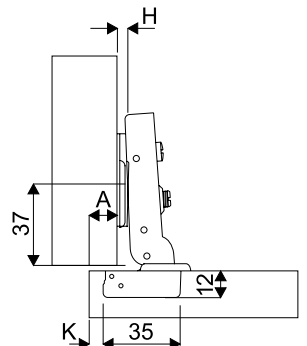
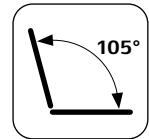
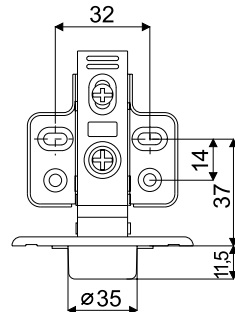
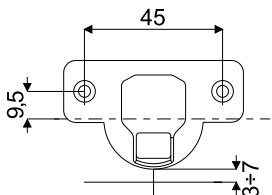
HALF OVERLAY hinge



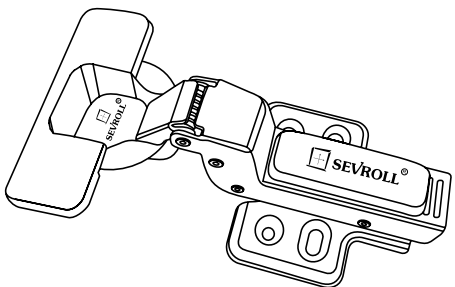
Mounting plate H=0

| | | | | | |
|---|---|---|----|----|----|
| K | 3 | 4 | 5 | 6 | 7 |
| A | 8 | 9 | 10 | 11 | 12 |

K – cup distance
A – overlay



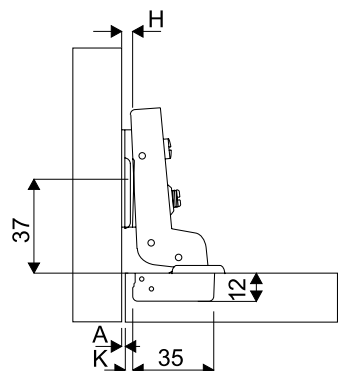
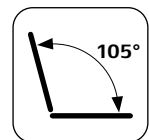
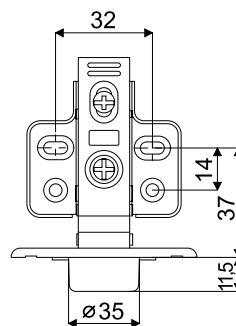
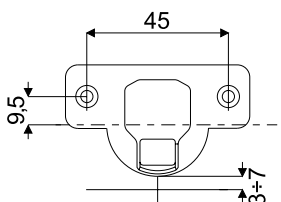
INSET hinge



Mounting plate H=0

| | | | | | |
|---|-----|-----|------|------|------|
| K | 3 | 4 | 5 | 6 | 7 |
| A | 1,5 | 0,5 | -0,5 | -1,5 | -2,5 |

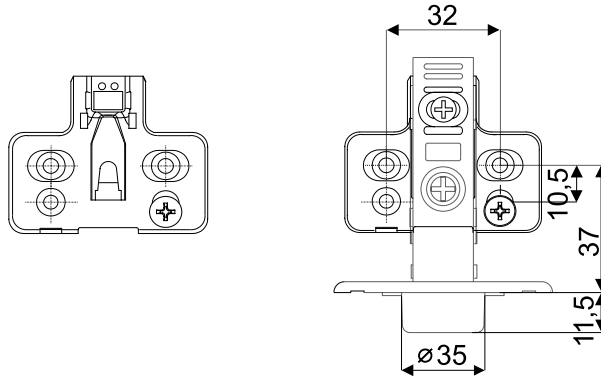
K – cup distance
A – gap



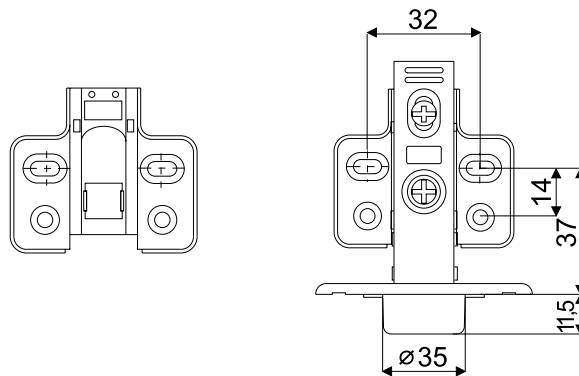
Universal mounting plates

Universal mounting plate with eccentric height adjustment

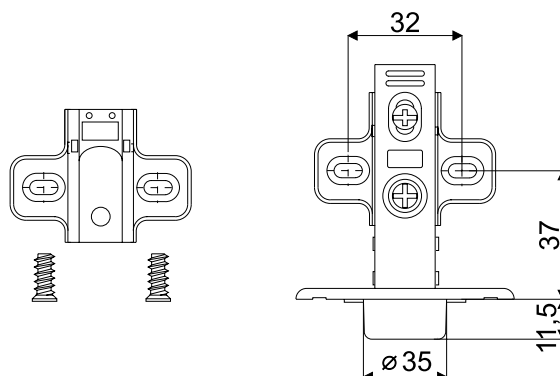
Mounting plates work with hinges index no: 222969 / 222970 / 222971 / 223115 / 223116 / 223117

**Universal mounting plate with 4 symmetrical holes**

Mounting plates work with hinges index no: 222969 / 222970 / 222971 / 223115 / 223116 / 223117

**Universal mounting plate with premounting screws**

Mounting plates work with hinges index no: 222969 / 222970 / 222971 / 223115 / 223116 / 223117



3 SOFT-CLOSE CLIP-ON HINGES

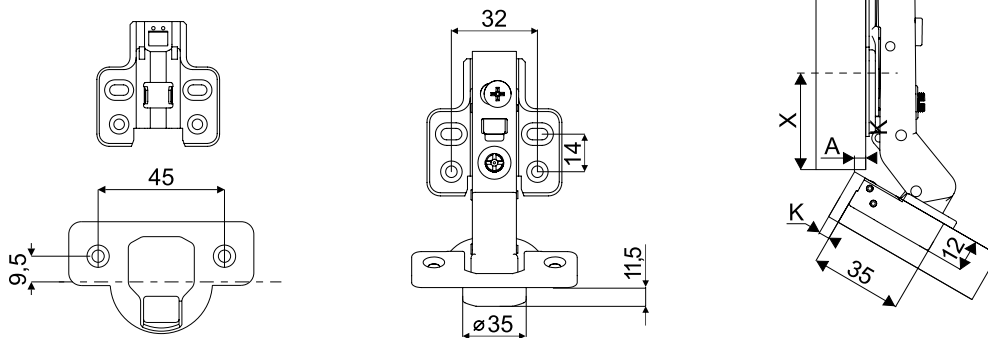
ANGLED hinges, hole spacing 45 mm $\varnothing 35$ mm

ANGLED hinge 30°

Mounting plate H=0

| | | | | |
|----------|-----|-----|-----|-----|
| K | 4 | 5 | 6 | 7 |
| A | 2,5 | 3,4 | 4,3 | 5,2 |
| X | 35 | 34 | 33 | 32 |

K – cup distance
A – overlay
X – guide distance

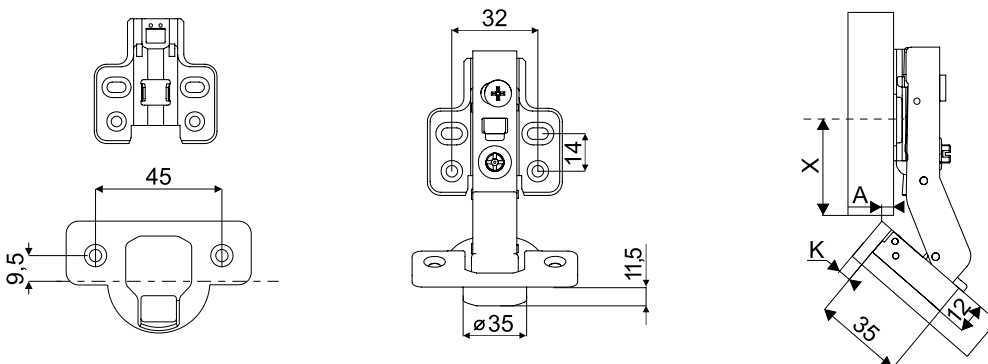


ANGLED hinge 45°

Mounting plate H=0

| | | | | |
|----------|-----|-----|-----|-----|
| K | 4 | 5 | 6 | 7 |
| A | 4,5 | 5,4 | 6,3 | 7,2 |
| X | 37 | 36 | 35 | 34 |

K – cup distance
A – overlay
X – guide distance

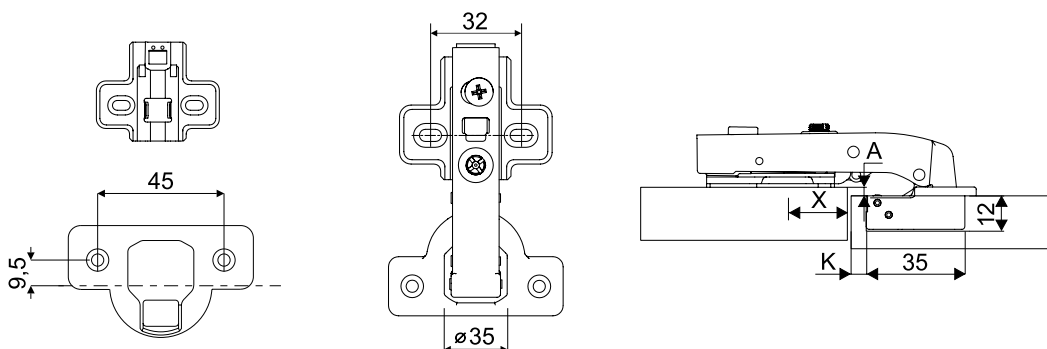


ANGLED hinge 90°

Mounting plate H=0

| | | |
|----------|-----|-----|
| K | 4 | 5 |
| A | 2,8 | 2,8 |
| X | 20 | 19 |

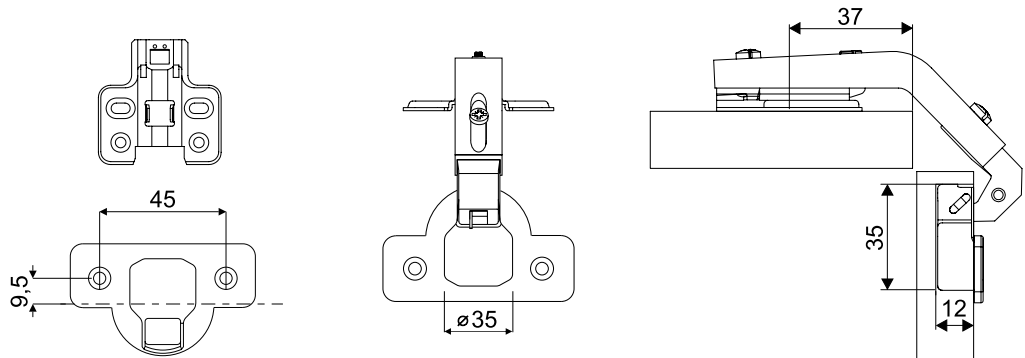
K – cup distance
A – overlay
X – guide distance



ANGLED hinges, hole spacing 45 mm \varnothing 35 mm

ANGLED hinge 135°

Mounting plate
H=0

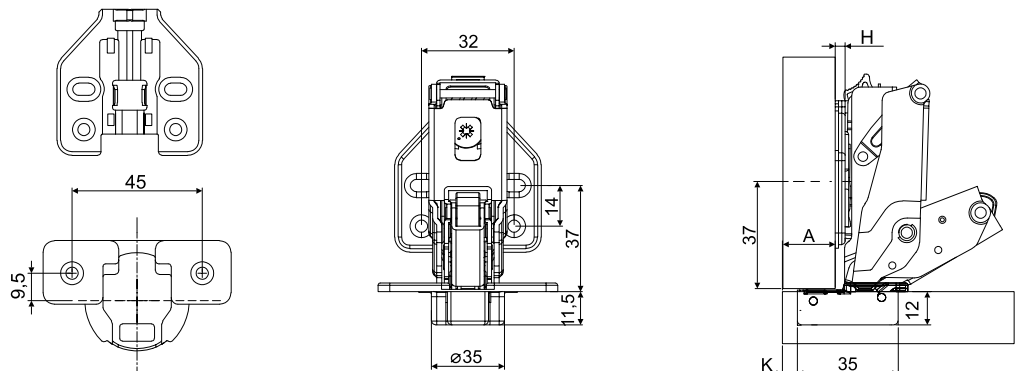


ANGLED hinge 155°

Mounting plate H=0

| | | | | | |
|----------|----|----|----|----|----|
| K | 3 | 4 | 5 | 6 | 7 |
| A | 17 | 18 | 19 | 20 | 21 |

K – cup distance
A – overlay

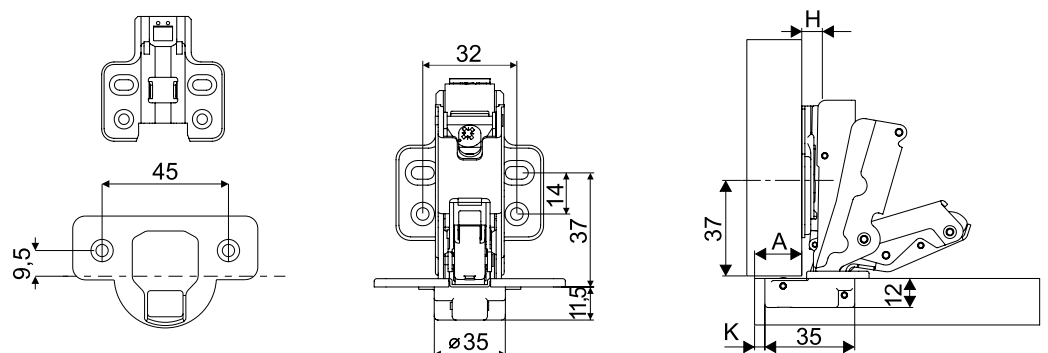


ANGLED hinge 165°

Mounting plate H=0

| | | | | | |
|----------|----|----|----|----|----|
| K | 3 | 4 | 5 | 6 | 7 |
| A | 18 | 19 | 20 | 21 | 22 |

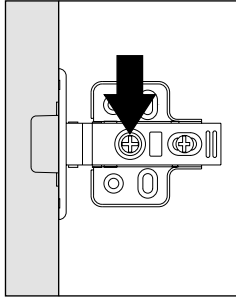
K – cup distance
A – overlay



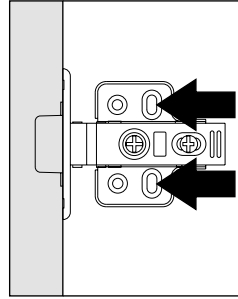
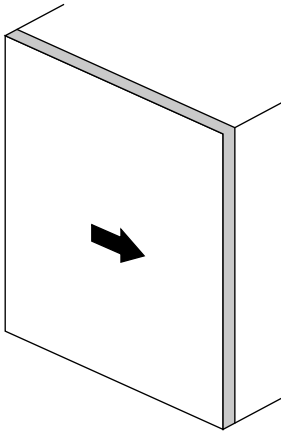
3 SOFT-CLOSE CLIP-ON HINGES

Hinge regulation

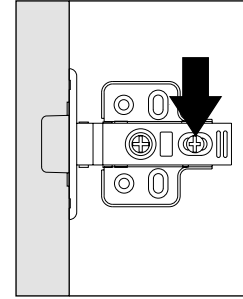
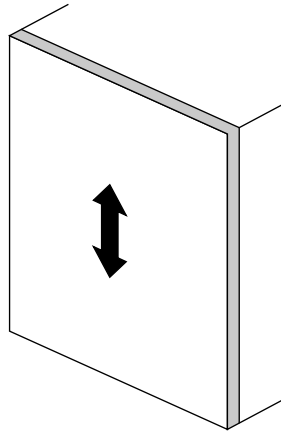
Hinges: overlay, half overlay, inset



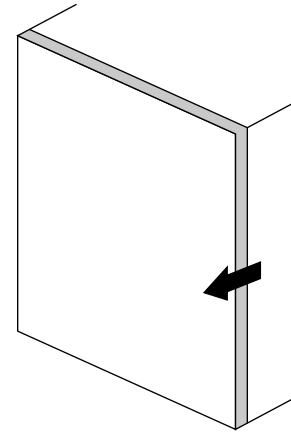
Adjustment: + 5 mm



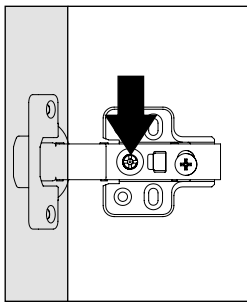
Adjustment: \pm 2 mm



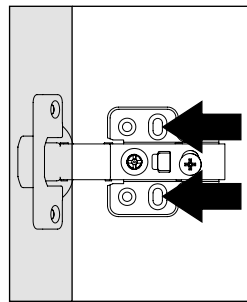
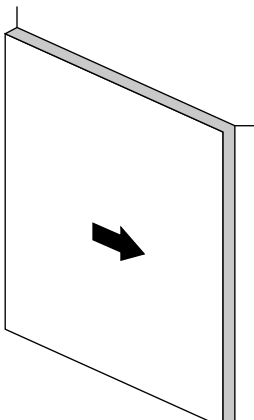
Adjustment: + 5 mm



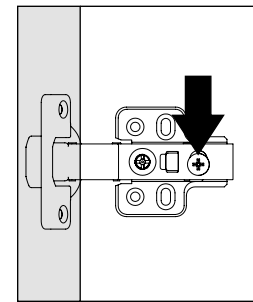
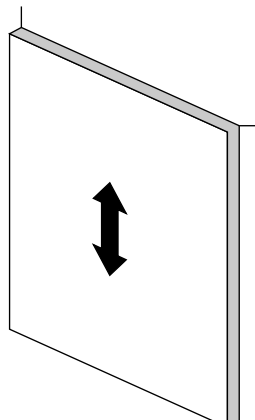
Angled hinges



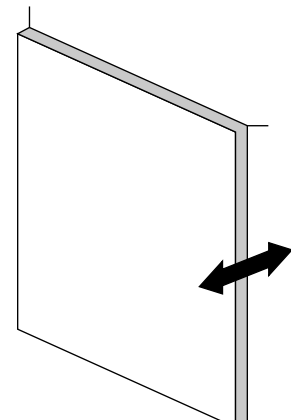
Adjustment: + 6 mm



Adjustment: \pm 2 mm



Adjustment: \pm 2 mm



UNDERMOUNT

DRAWER SLIDES

DXS-3D SYNCHRO WITH SOFT-CLOSE



Application: for wooden drawers in wardrobes, chests of drawers and kitchens

Features of the DXS-3D undermount synchro slides:

- Max. load up to 35 kg
- Available lengths from 250 mm to 600 mm
- Full synchronization of slide movement
- Designed for 18 mm board Soft-close system
- 3D regulation (3-dimensional adjustment)
- Easy assembly, tool-free adjustment

4

FURNITURE LEGS

Furniture legs with adjustable height



Sevroll furniture legs – heavy duty and high durability

Sevroll's furniture legs with adjustable height are a product offered in a wide height range and high load resistance. They are manufactured in heights ranging from 50 to 190 mm. Stable furniture support is provided by the oversized foot surface whilst durable product material ensures its high static durability – 450 kg. The rectangular shape of the foot additionally strengthens the whole structure of the furniture, which means that even at maximum load, the adjustment of leg height is facilitated. For plinth installation we use Universal plinth II clip



| CHARACTERISTICS | |
|---------------------|---|
| ▶ Application | Base of furniture |
| ▶ Construction | Resistant material |
| ▶ Regulation | Manual, screw/twist |
| ▶ Max. load | 450 kg |
| ▶ Available heights | 3 versions with ranges from/to: 50-65, 85-120, 122-190 mm |
| ▶ Fixing the plinth | Universal plinth II clip |

| USAGE | |
|---|--|
| ▶ Carcass furniture, base cabinets with plinths | |

Adjustable furniture leg h = 50-65 mm



| CODE | LOAD (kg) | MATERIAL | COLOUR | HEIGHT (mm) | COLLECTIVE PACKAGING | PRICED PER |
|-----------|-----------|----------|--------|-------------|----------------------|------------|
| 222934-SV | 450 | PLASTIC | BLACK | 50-65 | 100 | item |

i Elements sold individually

Adjustable furniture leg h = 85-120 mm



| CODE | LOAD (kg) | MATERIAL | COLOUR | HEIGHT (mm) | COLLECTIVE PACKAGING | PRICED PER |
|-----------|-----------|----------|--------|-------------|----------------------|------------|
| 222935-SV | 450 | PLASTIC | BLACK | 85-120 | 100 | item |

i Elements sold individually

Adjustable furniture leg h = 122-190 mm



| CODE | LOAD (kg) | MATERIAL | COLOUR | HEIGHT (mm) | COLLECTIVE PACKAGING | PRICED PER |
|-----------|-----------|----------|--------|-------------|----------------------|------------|
| 222936-SV | 450 | PLASTIC | BLACK | 122-190 | 100 | item |

i Elements sold individually

Universal plinth clip II

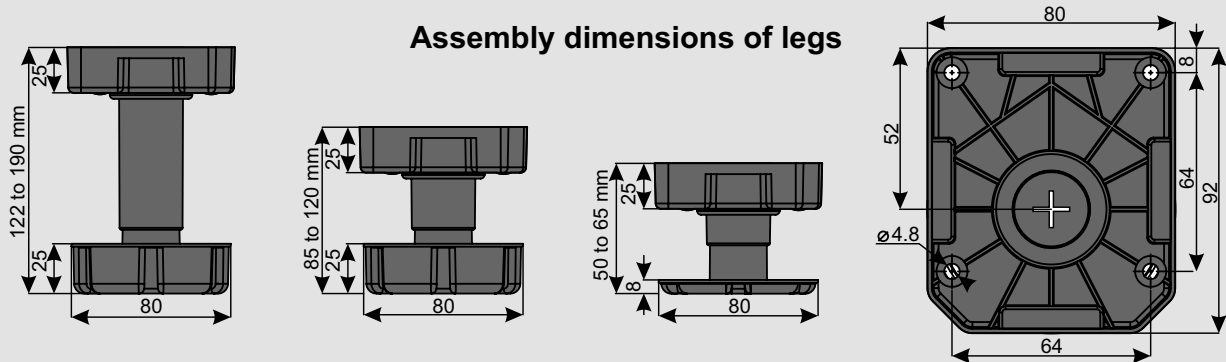


| CODE | MATERIAL | COLOUR | COLLECTIVE PACKAGING | PRICED PER |
|--------|----------|--------|----------------------|------------|
| 222938 | PLASTIC | BLACK | 2000 | item |

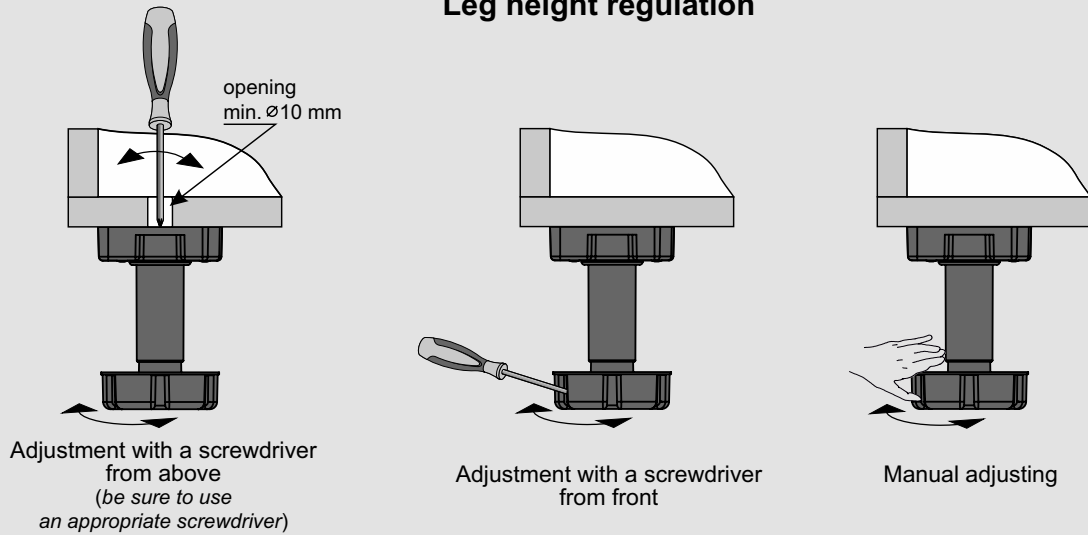
i Elements sold individually

4 FURNITURE LEGS

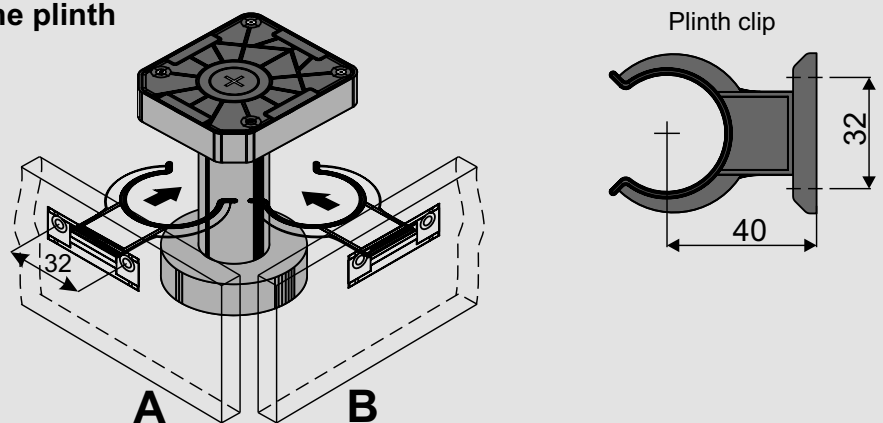
Adjustable furniture legs



Leg height regulation

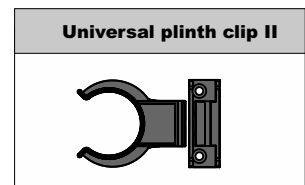
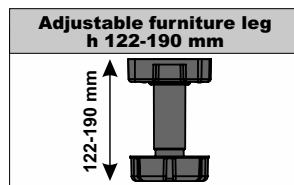
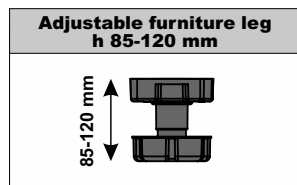
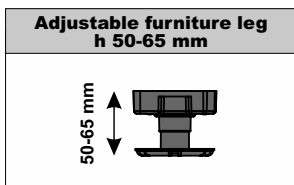


Installation of the plinth



The plinth can be attached both from the front (A) and from the side of the leg (B)
Thanks to this, the legs can also be used in "island" type projects

COMPONENTS



Embrace luxury
and take care of your comfort!



Wardrobe fittings set



Lifetime warranty carriage set



Undermount slide
DXP-3D synchro



3D hinge
with eccentric regulation



Rotating shoe
rack ROYAL

5 STEEL PULL DOWN CLOTHES RAIL

Pull down clothes rail



The pull down clothes rail makes functional use of higher wardrobe space.

Sevroll's pull down clothes rails are a practical and universal solution for every wardrobe and walk-in-wardrobe. It is a kind of rail that can be easily lowered to hang or remove clothes. Adjustable rail width allows installation in most scenarios. This product works especially well in high spaces, where access to clothes may be limited. The use of this product combines two great benefits: ease of use and aesthetic appearance. Using Sevroll's pull down clothes rail in wardrobes creates both a modern look and an extremely useful characteristic.



CHARACTERISTICS

| | |
|-------------------|---|
| ▶ Application | Wardrobes and walk-in-wardrobes |
| ▶ Max. load | 10 kg |
| ▶ Construction | Oil dampers, arms and rail from steel, housing made from high quality plastic |
| ▶ Bar width | 450-600 mm; 600-830 mm; 830-1150 mm |
| ▶ Opening width | 550-660 mm; 660-890 mm; 890-1210 mm |
| ▶ Sales programme | Clothes rail are sold in sets |

USAGE

- ▶ Recommended for tall wardrobes and walk-in-wardrobes

Pull down clothes rail steel black



| CODE | RAIL WIDTH (mm) | OPENING WIDTH (mm) | COLOUR | COLLECTIVE PACKAGING | PRICED PER |
|-------|-----------------|--------------------|--------------|----------------------|------------|
| 05118 | 450-600 | 550-660 | BLACK/CHROME | 6 | item |
| 05119 | 600-830 | 660-890 | BLACK/CHROME | 6 | item |
| 05120 | 830-1150 | 890-1210 | BLACK/CHROME | 6 | item |

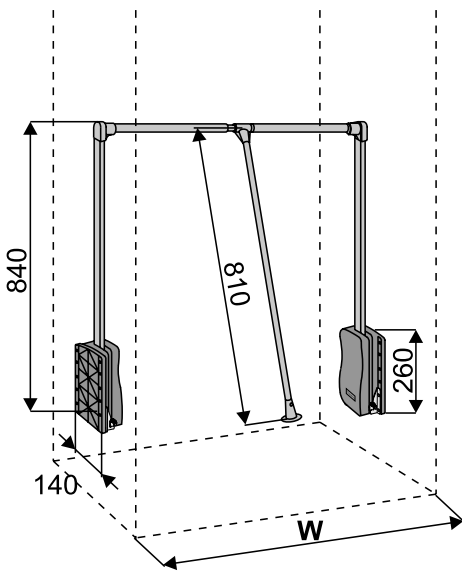
Pull down clothes rail steel white



| CODE | RAIL WIDTH (mm) | OPENING WIDTH (mm) | COLOUR | COLLECTIVE PACKAGING | PRICED PER |
|-------|-----------------|--------------------|--------|----------------------|------------|
| 05429 | 450-600 | 550-660 | WHITE | 6 | item |
| 05430 | 600-830 | 660-890 | WHITE | 6 | item |
| 05431 | 830-1150 | 890-1210 | WHITE | 6 | item |



5 STEEL PULL DOWN CLOTHES RAIL

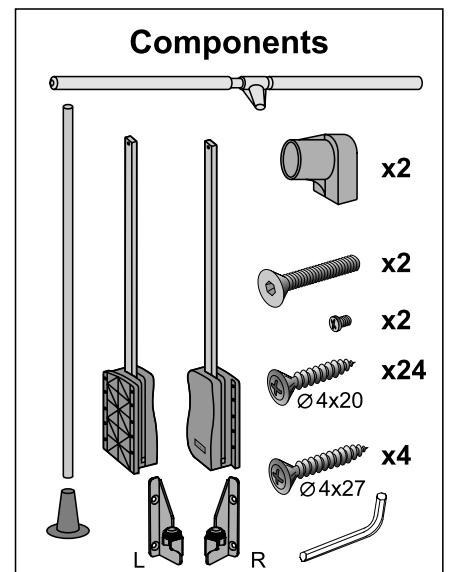
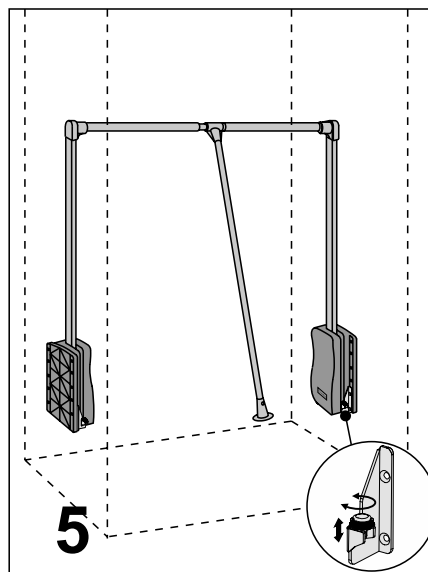
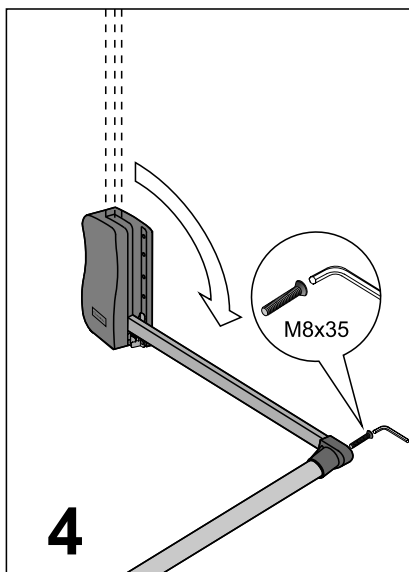
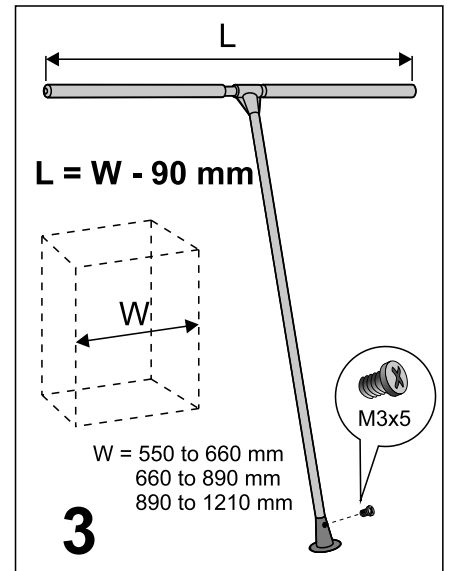
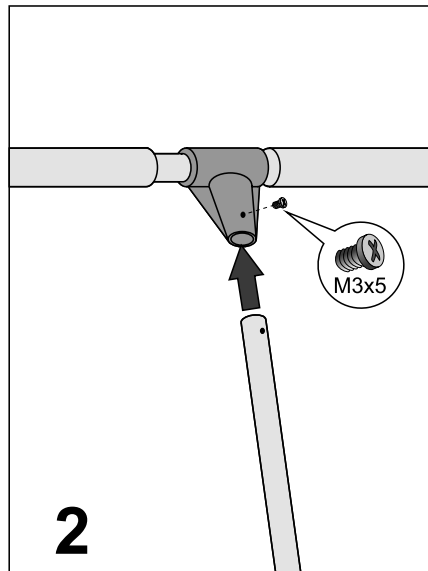
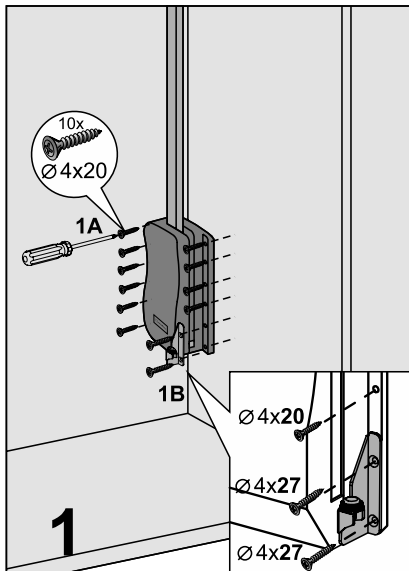
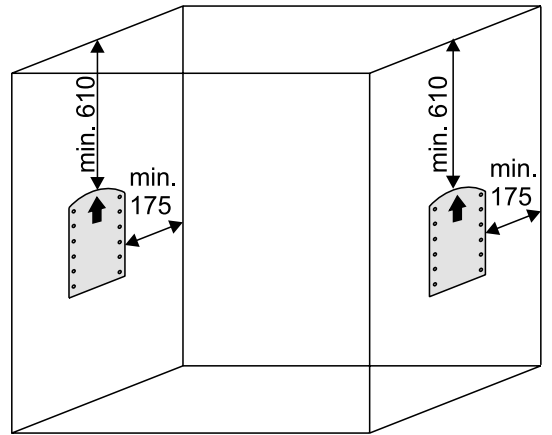


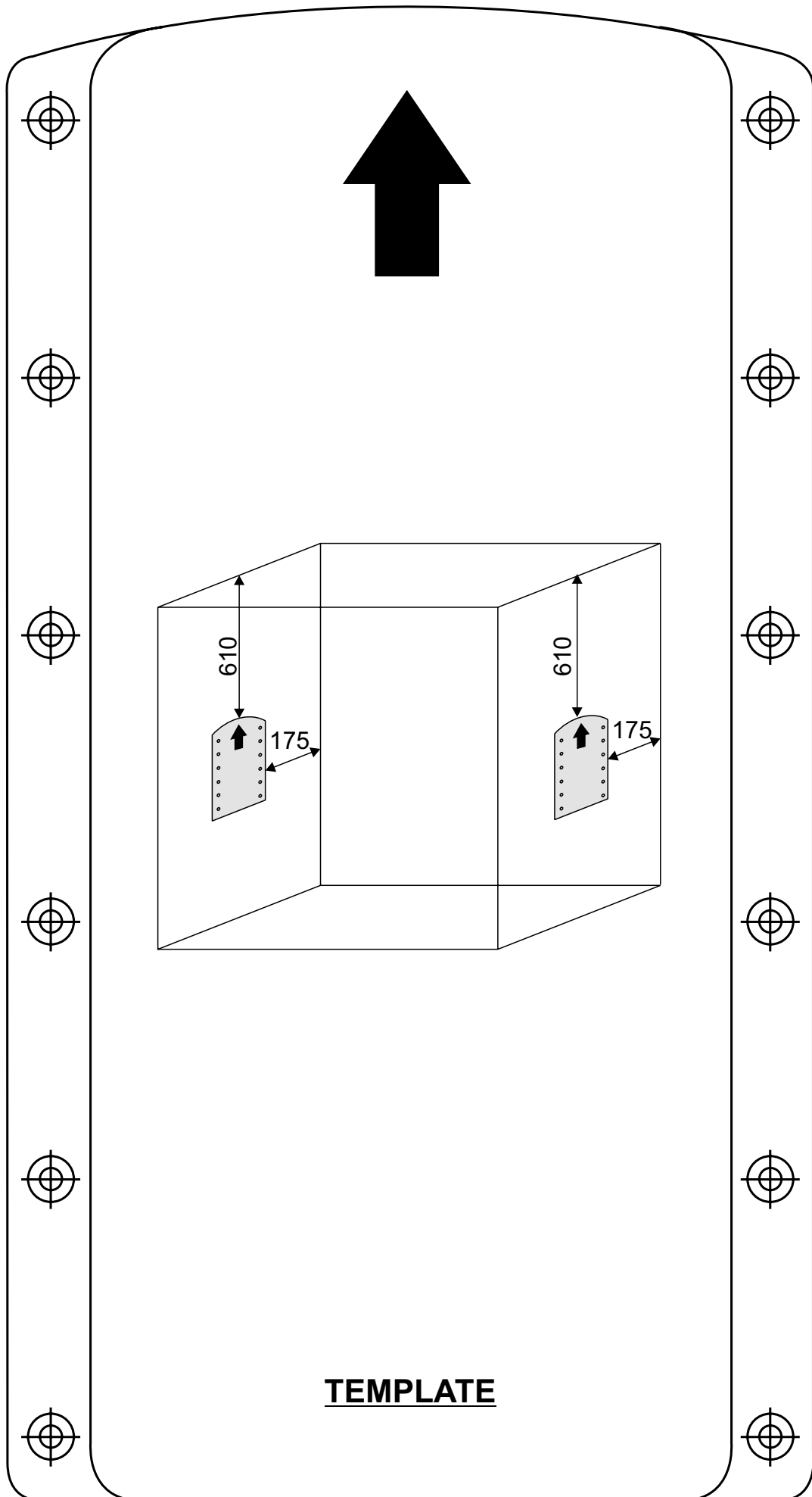
Clothes rail
max. load 10 kg



Assembly dimensions

| Pull down clothes rail | Opening width W |
|------------------------|-----------------|
| 450 to 600 | 550 to 660 |
| 600 to 830 | 660 to 890 |
| 830 to 1150 | 890 to 1210 |





6.1 GOLA PROFILES

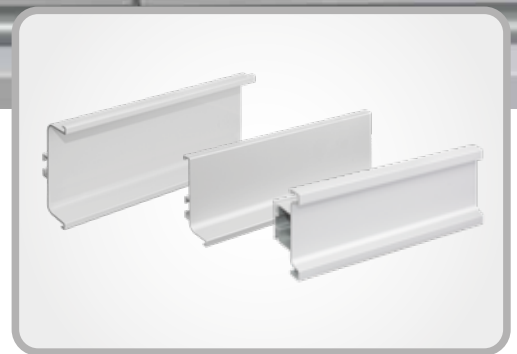
Aluminum furniture profiles



GOLA profiles for handle-free installations

Gola profiles are used for recess mounting in the cabinet carcass to create a streamlined look without traditional handles in view.

Profile is inserted and situated behind the front thus creating a space which enables free hand insertion to open the front. Special clips are used to easily connect the profiles to the carcass. The furniture gains a modern look, eliminating the use of handles, without reducing the functionality of the cabinets and drawers. **Gola profiles** offer a modern solution, that is is both easy to assemble and comfortable to use. Handle profiles situated along the front length are the solution allowing comfortable opening of the widest of drawers. Various profile shapes available in the offer will let you beautifully complete any interior.



CHARACTERISTICS

| | |
|-------------------|---|
| ▶ Application | Kitchen furniture and wardrobes |
| ▶ Material | Aluminum |
| ▶ Colour | Silver, white gloss, light brown with brushed effect, black with brushed effect |
| ▶ Sales programme | Components can be purchased separately |

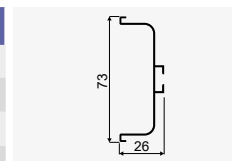
USAGE

▶ Drawers, wardrobe cabinets, walk-in-wardrobes and kitchens

GOLA C profile



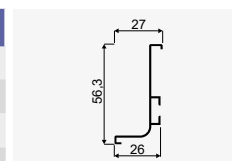
| CODE | COLOUR | LENGTH (mm) | COLLECTIVE PACKAGING | PRICED PER |
|---------|------------------------------|-------------|----------------------|------------|
| 04959 | SILVER | 4200 | 12 | item |
| 04960-Y | LIGHT BROWN SZCZOTKOWANY | 4200 | 12 | item |
| 04961 | RAL WHITE GLOSS | 4200 | 12 | item |
| 05109 | BLACK WITH BRUSHED EFFECT | 4200 | 12 | item |
| 06113 | GOLD / BRASS | 4200 | 12 | item |



GOLA L profile



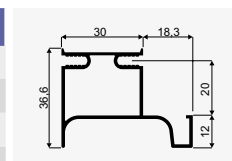
| CODE | COLOUR | LENGTH (mm) | COLLECTIVE PACKAGING | PRICED PER |
|---------|------------------------------|-------------|----------------------|------------|
| 04956 | SILVER | 4200 | 12 | item |
| 04957-Y | LIGHT BROWN SZCZOTKOWANY | 4200 | 12 | item |
| 04958 | RAL WHITE GLOSS | 4200 | 12 | item |
| 05110 | BLACK WITH BRUSHED EFFECT | 4200 | 12 | item |
| 06114 | GOLD / BRASS | 4200 | 12 | item |



GOLA vertical single grip profile



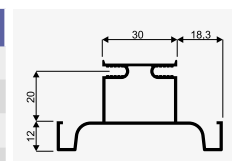
| CODE | COLOUR | LENGTH (mm) | COLLECTIVE PACKAGING | PRICED PER |
|-------|------------------------------|-------------|----------------------|------------|
| 05935 | SILVER | 3000 | 12 | item |
| 05933 | RAL WHITE GLOSS | 3000 | 12 | item |
| 05934 | BLACK WITH BRUSHED EFFECT | 3000 | 12 | item |
| 06116 | GOLD / BRASS | 3000 | 12 | item |



GOLA vertical double grip profile



| CODE | COLOUR | LENGTH (mm) | COLLECTIVE PACKAGING | PRICED PER |
|---------|------------------------------|-------------|----------------------|------------|
| 04962 | SILVER | 4700 | 12 | item |
| 04963-Y | LIGHT BROWN SZCZOTKOWANY | 4700 | 12 | item |
| 04964 | RAL WHITE GLOSS | 4700 | 12 | item |
| 05111 | BLACK WITH BRUSHED EFFECT | 4700 | 12 | item |
| 06115 | GOLD / BRASS | 3000 | 12 | item |

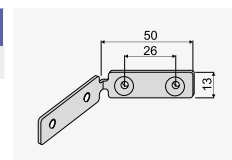


Angle plate GOLA



| CODE | COLOUR | COLLECTIVE PACKAGING | PRICED PER |
|-------|------------|----------------------|------------|
| 05215 | GALVANISED | 100 | item |

i Set includes 2 pcs. Used for fixing GOLA C and L profiles



6 GOLA PROFILES

Gola horizontal profile C

Angle plate Gola

x2

M4x5 - 4 pcs

Gola horizontal profile L

Angle plate Gola

x2

M4x5 - 4 pcs

Gola vertical profile double

side side

door door

Ø4x25

Gola vertical profile single

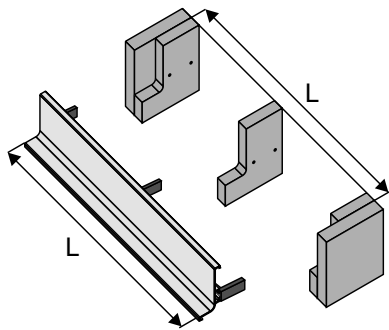
side side

door

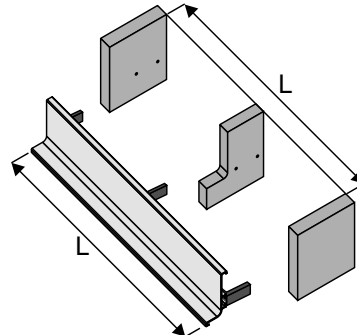
Ø4x25

Profile installation

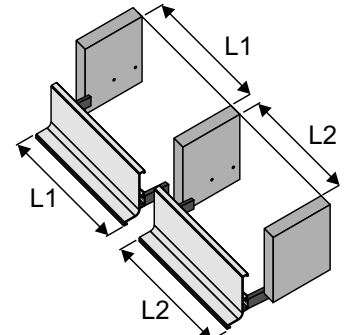
Gola horizontal profile L



option 1

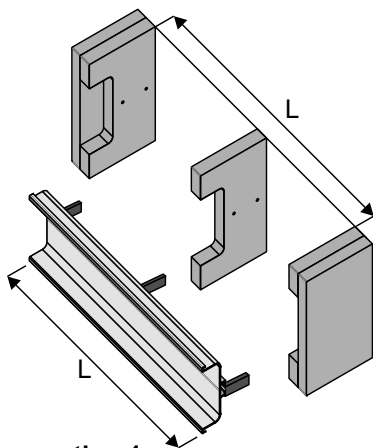


option 2

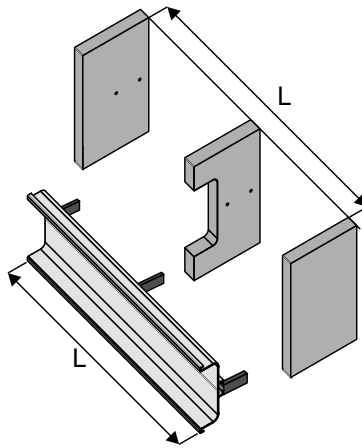


option 3

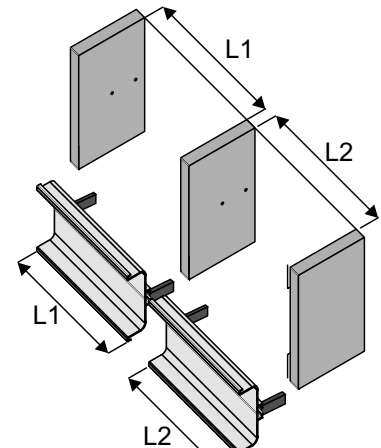
Gola horizontal profile C



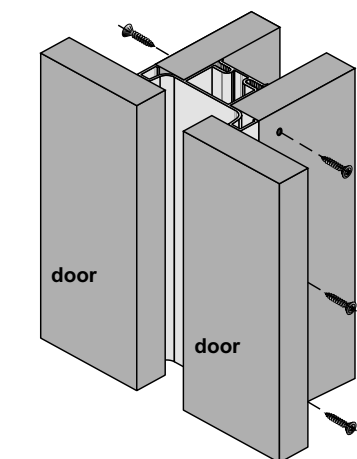
option 1



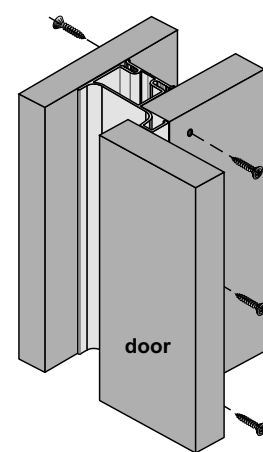
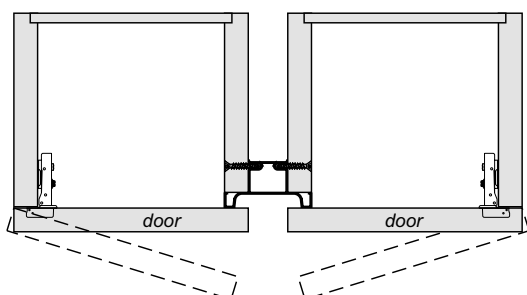
option 2



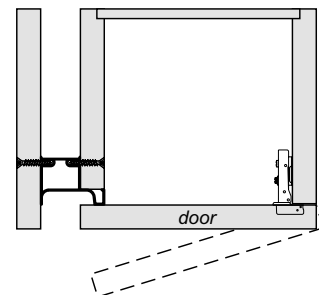
option 3



Gola vertical profile double

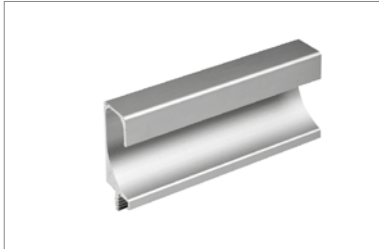


Gola vertical profile single

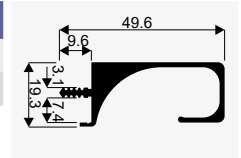


6.2 OTHER HANDLE PROFILES

Handle profile **006 II**



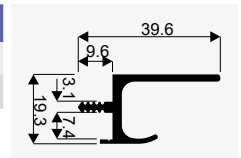
| CODE | COLOUR | LENGTH (mm) | COLLECTIVE PACKAGING | PRICED PER |
|-------|-------------|-------------|----------------------|------------|
| 04196 | SILVER | 3000 | 10 | item |
| 04195 | LIGHT BROWN | 3000 | 10 | item |



Handle profile **007 II**



| CODE | COLOUR | LENGTH (mm) | COLLECTIVE PACKAGING | PRICED PER |
|-------|-------------|-------------|----------------------|------------|
| 04198 | SILVER | 3000 | 20 | item |
| 04197 | LIGHT BROWN | 3000 | 20 | item |

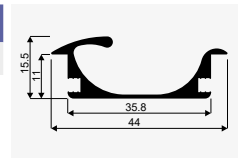


Handle profile **008**



| CODE | COLOUR | LENGTH (mm) | COLLECTIVE PACKAGING | PRICED PER |
|-------|--------|-------------|----------------------|------------|
| 50414 | SILVER | 3000 | 20 | item |

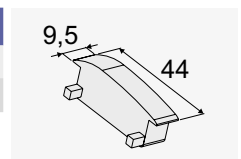
i Can be used with and caps, left (222439) and right (222438)



End cap for Handle drawer **008**



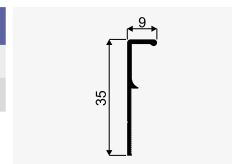
| CODE | COLOUR | TYPE | COLLECTIVE PACKAGING | PRICED PER |
|--------|--------|-------|----------------------|------------|
| 222439 | SILVER | LEFT | 100 | item |
| 222438 | SILVER | RIGHT | 100 | item |



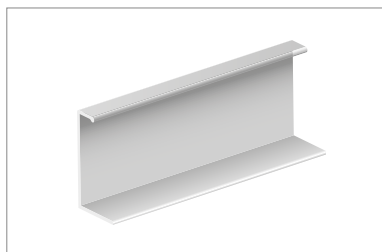
Handle profile **010**



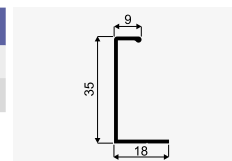
| CODE | COLOUR | LENGTH (mm) | COLLECTIVE PACKAGING | PRICED PER |
|-------|-----------------------------|-------------|----------------------|------------|
| 04212 | SILVER | 3000 | 40 | item |
| 04211 | LIGHT BROWN SZCZOTKOWANY | 3000 | 40 | item |



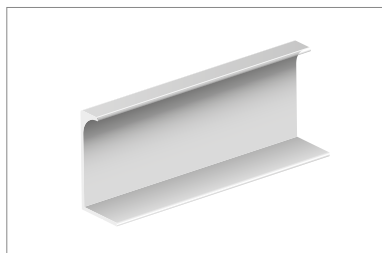
Handle profile **011**



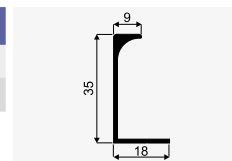
| CODE | COLOUR | LENGTH (mm) | COLLECTIVE PACKAGING | PRICED PER |
|-------|-----------------------------|-------------|----------------------|------------|
| 04214 | SILVER | 3000 | 40 | item |
| 04213 | LIGHT BROWN SZCZOTKOWANY | 3000 | 40 | item |



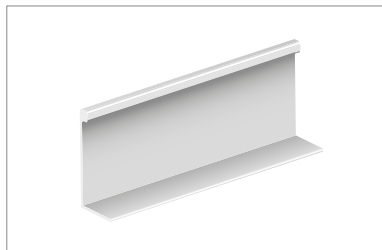
Handle profile **012**



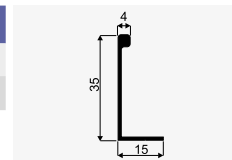
| CODE | COLOUR | LENGTH (mm) | COLLECTIVE PACKAGING | PRICED PER |
|-------|-----------------------------|-------------|----------------------|------------|
| 04216 | SILVER | 3000 | 40 | item |
| 04215 | LIGHT BROWN SZCZOTKOWANY | 3000 | 40 | item |



Handle profile **013**

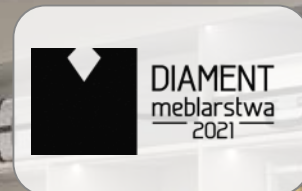


| CODE | COLOUR | LENGTH (mm) | COLLECTIVE PACKAGING | PRICED PER |
|-------|-----------------------------|-------------|----------------------|------------|
| 04218 | SILVER | 3000 | 40 | item |
| 04217 | LIGHT BROWN SZCZOTKOWANY | 3000 | 40 | item |



7.1 SYSTEM ROYAL

A collection of wardrobe accessories



A wide range of accessories for wardrobes and walk-in-wardrobes

Our combination of modern design and functional solutions has created a matching collection for every interior. Thanks to the wide range of products and its versatility, system ROYAL can be used both in modern, compact wardrobes and in large spacious ones. Fashionable pearl-gray finish, variety of materials used and their well thought-out combination increase the prestige of this product. Class leading USAGE drawer slides with silent soft-close (rated to 30 kg) confirm the high end quality of this product.

Pull-out ironing board **Royal**



| CODE | DIMENSIONS (mm) | COLOUR | COLLECTIVE PACKAGING | PRICED PER |
|--------|-----------------|--------|----------------------|------------|
| 223088 | 430 x 300 x 140 | WHITE | 1 | item |

i Retractable ironing board that folds and rotates 180°, silent soft-close

Clothes lift **Royal**



| CODE | DIMENSIONS (mm) | LOAD (kg) | COLOUR | COLLECTIVE PACKAGING | PRICED PER |
|--------|-----------------|-----------|------------|----------------------|------------|
| 223062 | 564-764 | 10 | PEARL-GREY | 3 | item |
| 223063 | 764-964 | 10 | PEARL-GREY | 3 | item |

i Silent mechanism when lowering and returning to the upper position

Pull-out pivoting wardrobe mirror **Royal**



| CODE | DIMENSIONS (mm) | COLOUR | COLLECTIVE PACKAGING | PRICED PER |
|--------|-----------------|------------|----------------------|------------|
| 223093 | 1200 x 352 x 61 | PEARL-GREY | 1 | item |

i Pivoting mirror, extendable on ball bearing slides. Universal fitting: right or left
Attention – minimum carcass width 270 mm

Drawer safe **Royal**



| CODE | DIMENSIONS (mm) | COLOUR | COLLECTIVE PACKAGING | PRICED PER |
|--------|-----------------|--------|----------------------|------------|
| 223074 | 480 x 400 x 150 | BLACK | 1 | item |

i Secure biometric drawer – fingerprint recognition
Up to 30 unique fingerprints can be added

Pull-out hanger **Royal**

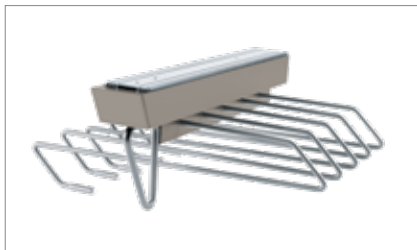


| CODE | DIMENSIONS (mm) | COLOUR | COLLECTIVE PACKAGING | PRICED PER |
|--------|-----------------|------------|----------------------|------------|
| 223064 | 425 x 137 x 54 | PEARL-GREY | 1 | item |

i Silent closing, ergonomic handle

7.1 SYSTEM ROYAL

Pull-out trouser hanger **Royal**



| CODE | DIMENSIONS (mm) | COLOUR | COLLECTIVE PACKAGING | PRICED PER |
|--------|-----------------|------------|----------------------|------------|
| 223065 | 425 x 145 x 350 | PEARL-GREY | 1 | item |

i Silent closing, ergonomic handle, full extension

Pull-out clothes drawer **Royal** mesh



| CODE | DIMENSIONS (mm) | COLOUR | COLLECTIVE PACKAGING | PRICED PER |
|--------|-----------------|------------|----------------------|------------|
| 223066 | 564 x 420 x 140 | PEARL-GREY | 1 | set |
| 223067 | 664 x 420 x 140 | PEARL-GREY | 1 | set |
| 223068 | 764 x 420 x 140 | PEARL-GREY | 1 | set |
| 223069 | 864 x 420 x 140 | PEARL-GREY | 1 | set |

i Aluminum frame, soft-close drawer slides tested to 50,000 cycles
Maximum load of 25 kg

Pull-out shoe drawer **Royal**



| CODE | DIMENSIONS (mm) | COLOUR | COLLECTIVE PACKAGING | PRICED PER |
|--------|-----------------|------------|----------------------|------------|
| 223070 | 564 x 420 x 160 | PEARL-GREY | 1 | set |
| 223071 | 664 x 420 x 160 | PEARL-GREY | 1 | set |
| 223072 | 764 x 420 x 160 | PEARL-GREY | 1 | set |
| 223073 | 864 x 420 x 160 | PEARL-GREY | 1 | set |

i Aluminum frame, soft-close drawer slides tested to 50,000 cycles
Maximum load of 25 kg

Pull-out trouser drawer **Royal**



| CODE | DIMENSIONS (mm) | NUMBER OF BARS | COLOUR | COLLECTIVE PACKAGING | PRICED PER |
|--------|-----------------|----------------|------------|----------------------|------------|
| 223075 | 564 x 420 x 56 | 7 | PEARL-GREY | 1 | set |
| 223076 | 664 x 420 x 56 | 9 | PEARL-GREY | 1 | set |
| 223077 | 764 x 420 x 56 | 11 | PEARL-GREY | 1 | set |
| 223078 | 864 x 420 x 56 | 13 | PEARL-GREY | 1 | set |

i Aluminum frame, soft-close drawer slides tested to 50,000 cycles
Maximum load of 25 kg

Pull-out drawer with organiser **Royal**



| CODE | DIMENSIONS (mm) | COLOUR | COLLECTIVE PACKAGING | PRICED PER |
|--------|-----------------|------------|----------------------|------------|
| 223079 | 564 x 420 x 61 | PEARL-GREY | 1 | set |
| 223080 | 664 x 420 x 61 | PEARL-GREY | 1 | set |
| 223081 | 764 x 420 x 61 | PEARL-GREY | 1 | set |
| 223082 | 864 x 420 x 61 | PEARL-GREY | 1 | set |

i Aluminum frame, soft-close drawer slides tested to 50,000 cycles
Maximum load of 25 kg

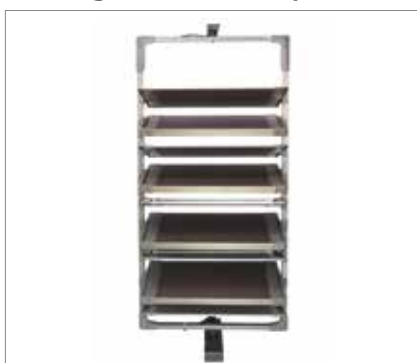
Royal drawer front catch (Set 2 pcs)



| CODE | COLOUR | COLLECTIVE PACKAGING | PRICED PER |
|--------|------------|----------------------|------------|
| 223091 | PEARL-GREY | 30 | set |

i For fixing an external drawer front to Royal drawers

Rotating shoe stand **Royal** – Stand frame + set of shelves with fixings



=



+

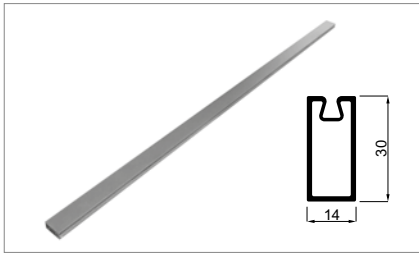


| CODE | DESCRIPTION | DIMENSIONS (mm) | COLOUR | COLLECTIVE PACKAGING | PRICED PER |
|--------|--------------------------------------|------------------------------|------------|----------------------|------------|
| 223083 | SET OF FRAME PROFILES FOR 10 SHELVES | 1695-1795 x 718 x 360 | PEARL-GREY | 1 | set |
| 223090 | SET OF 10 SHELVES WITH ACCESSORIES | | PEARL-GREY | 1 | set |
| 223084 | SET OF FRAME PROFILES FOR 12 SHELVES | 1965-2065 x 718 x 360 | PEARL-GREY | 1 | set |
| 223089 | SET OF 12 SHELVES WITH ACCESSORIES | | PEARL-GREY | 1 | set |

i To make a complete shoe stand, order a set of frame profiles and the matching set of shelves with accessories
Maximum load on each shelf 5 kg

7.1 SYSTEM ROYAL

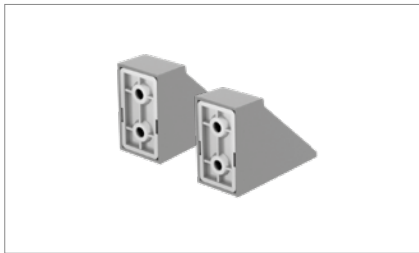
Hanging-rail, rectangular **Royal**



| CODE | LENGTH (mm) | COLOUR | COLLECTIVE PACKAGING | PRICED PER |
|--------|-------------|------------|----------------------|------------|
| 223087 | 2000 | PEARL-GREY | 20 | item |

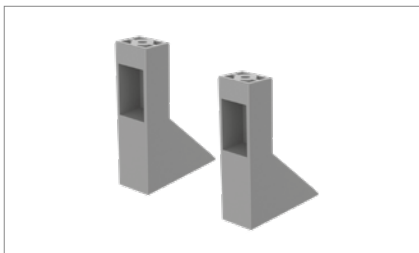
i The rails includes gasket

Hanging-rail support **Royal**, side fixing (Set 2 pcs)



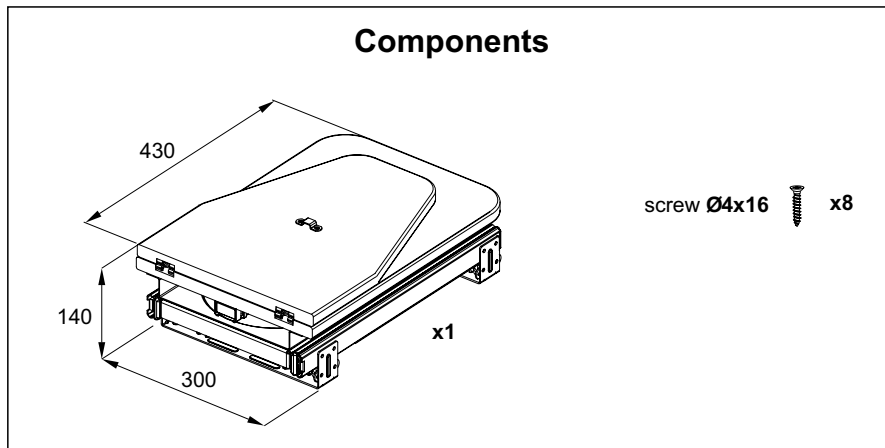
| CODE | COLOUR | COLLECTIVE PACKAGING | PRICED PER |
|--------|------------|----------------------|------------|
| 223085 | PEARL-GREY | 20 | set |

Hanging-rail support **Royal**, ceiling fixing (Set 2 pcs)

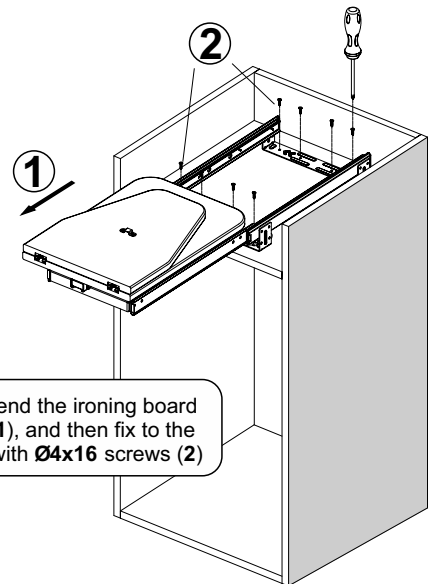
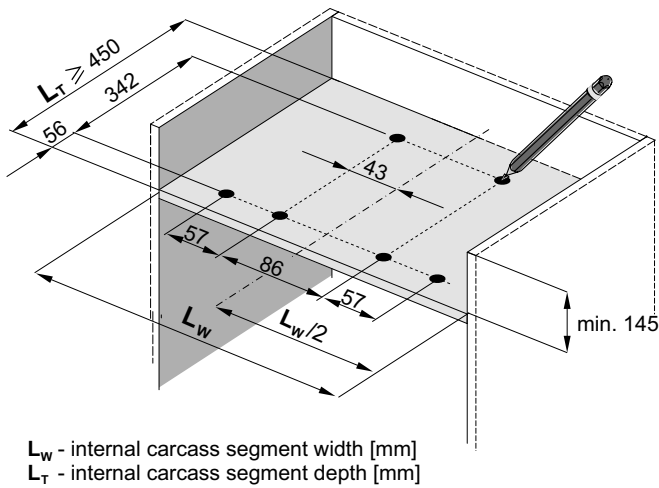


| CODE | COLOUR | COLLECTIVE PACKAGING | PRICED PER |
|--------|------------|----------------------|------------|
| 223086 | PEARL-GREY | 20 | set |

Pull-out ironing board

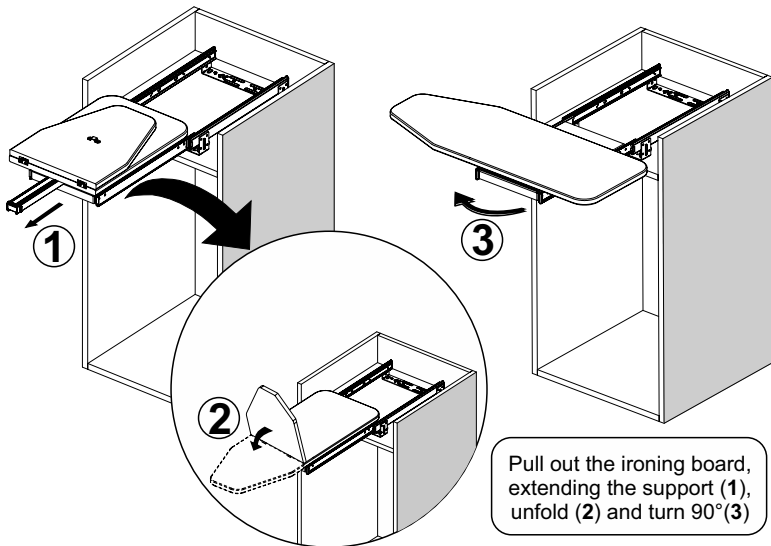


1. Ironing board installation

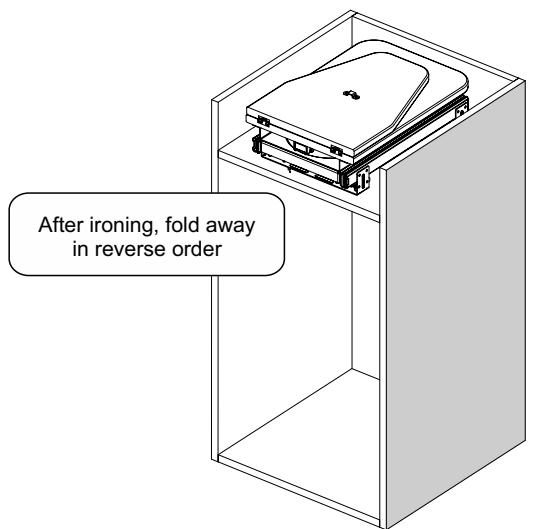


Note: The set includes screws $\text{Ø}4 \times 16$

2. Extending the ironing board

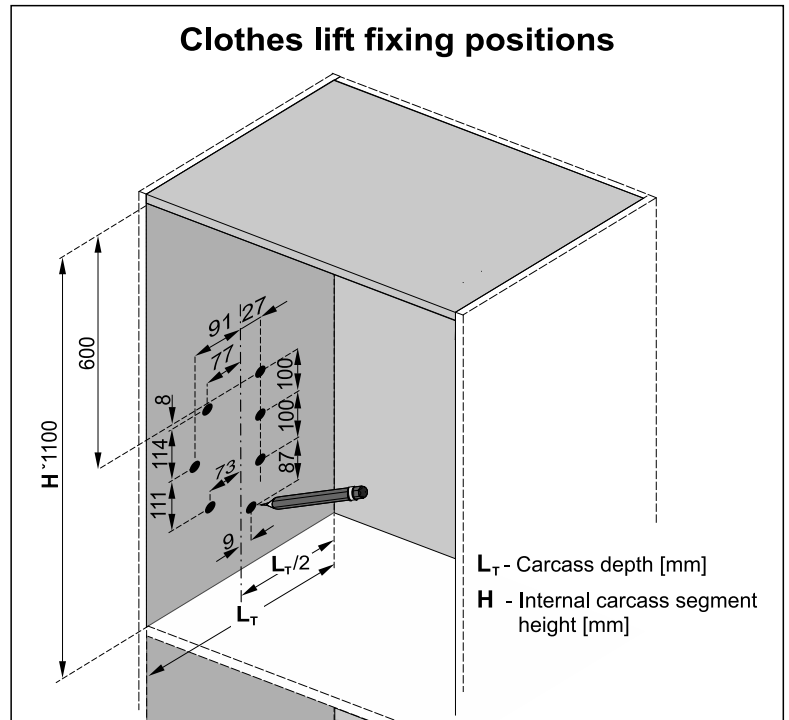
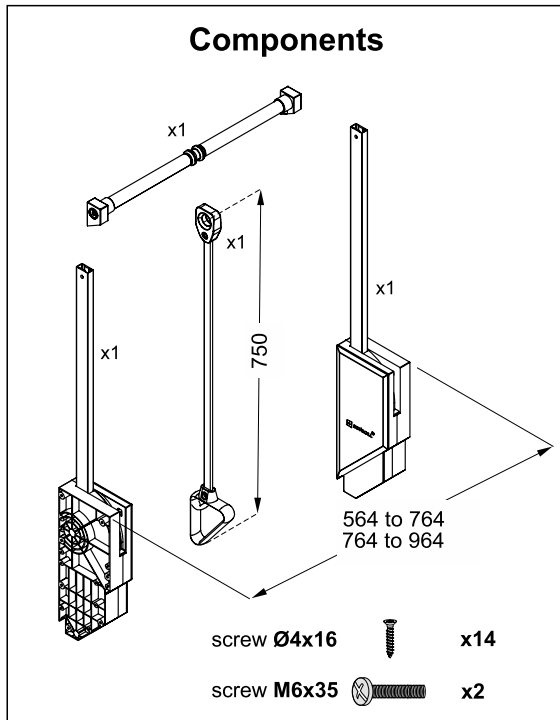


3. Folding away the ironing board

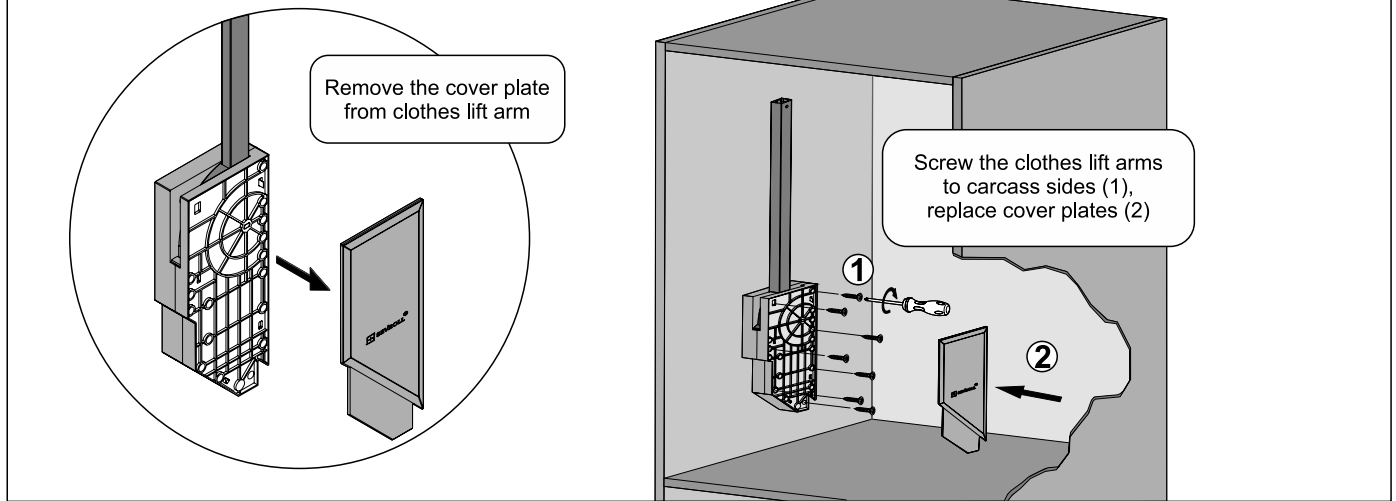


7.1 SYSTEM ROYAL

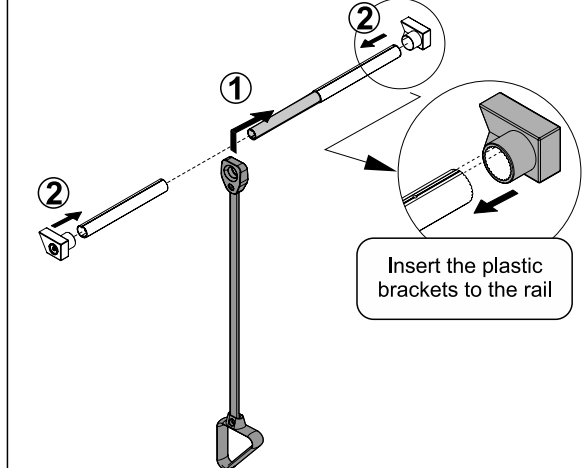
Clothes lift



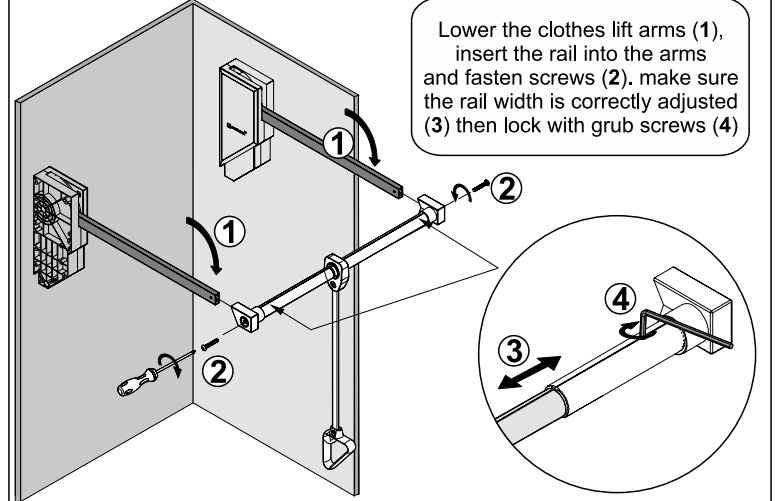
1. Installation of clothes lift arms



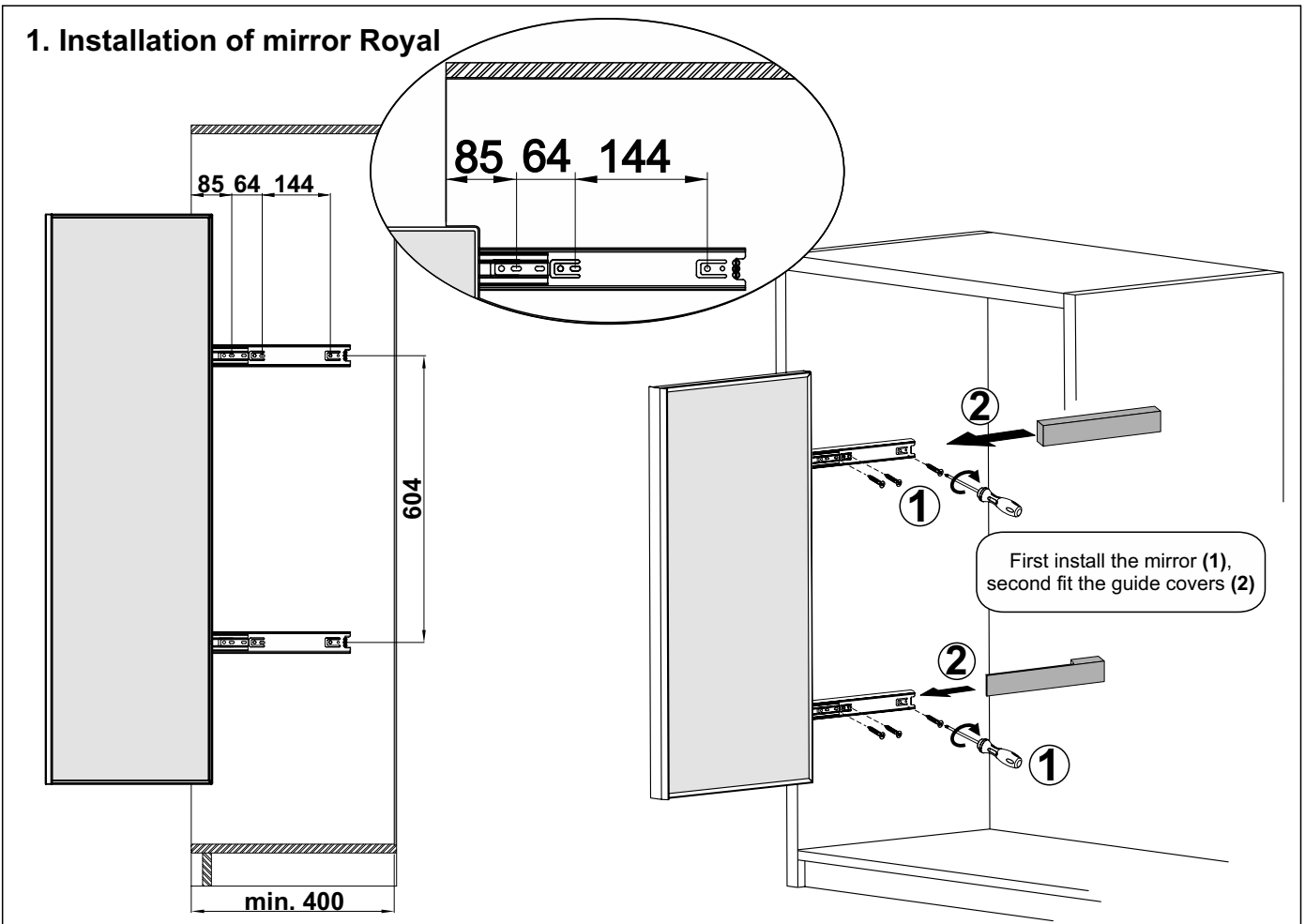
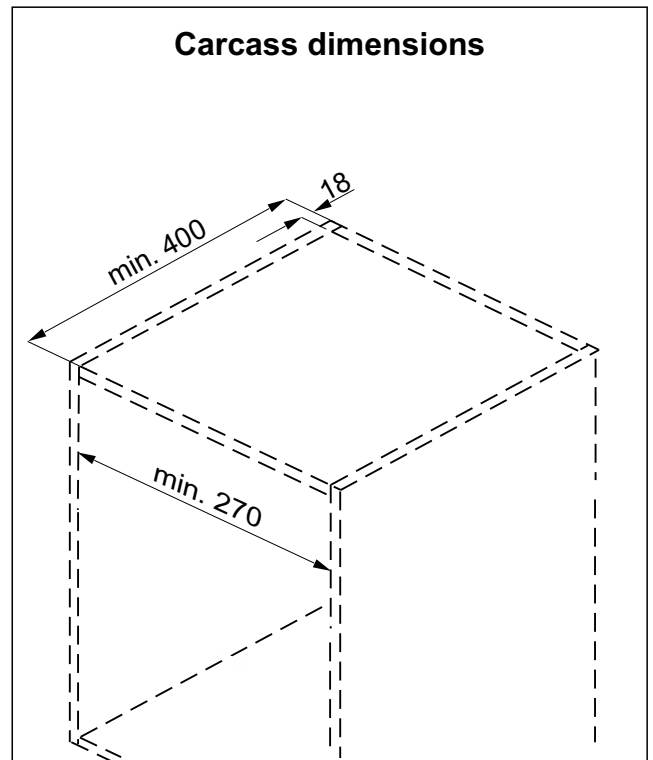
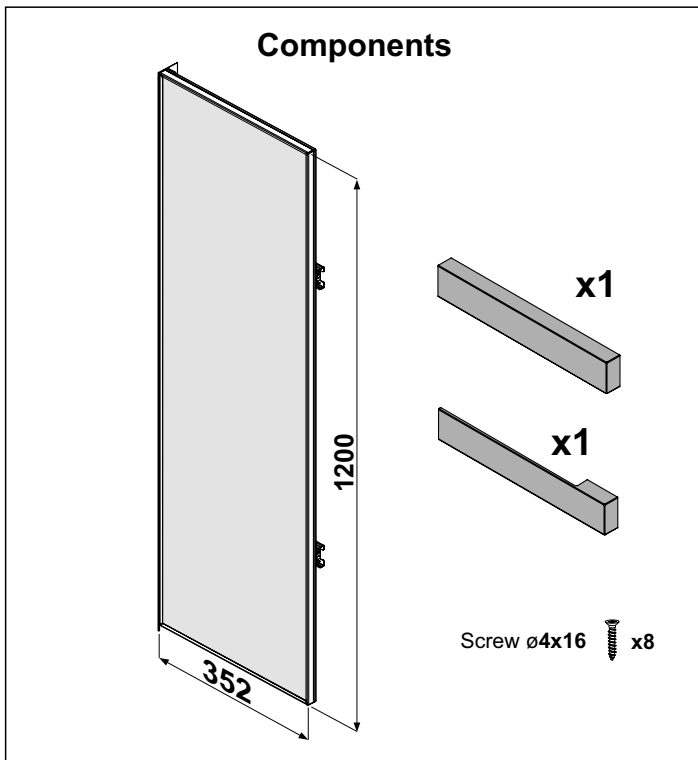
2. Mounting the handle on the clothes lift rail



3. Clothes lift adjustment



Pull-out pivoting wardrobe mirror



7.1 SYSTEM ROYAL

Drawer safe

Components

400 480 150 x1

- x8 screw $\varnothing 4 \times 16$
- x4 battery AA
- x2 emergency key
- x1 USB cable

NOTE: batteries are not included
Supply voltage for drawer safe Royal: 3.5-6.5V

Carcass dimensions

400 480 150

Installing the drawer safe

2 Screw the safe housing into the carcass (2)

1 Attach Drawer front using $\varnothing 4 \times 16$ screws (1)

3 After securing the housing, insert the drawer into the drawer slides (3)

BAT- batteries need replacing
OK - password correct
ERR- password incorrect

AA batteries compartment

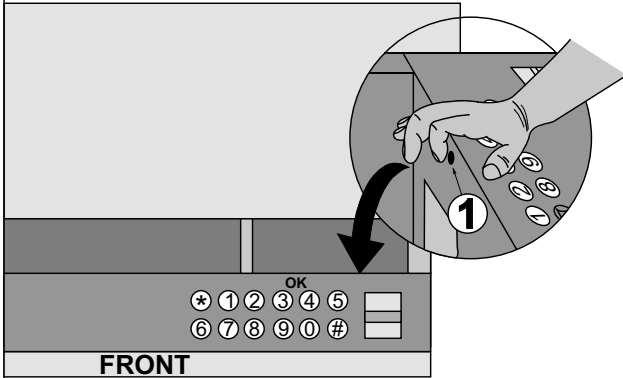
1. Opening drawer safe Royal (without a security code programmed)

Pull out the drawer to reveal the digital panel

To open place your finger on the fingerprint reader or enter the factory Security code **1234** and confirm with **#** in order to release the locking bolt (The display will show OK and the drawer will pop out)

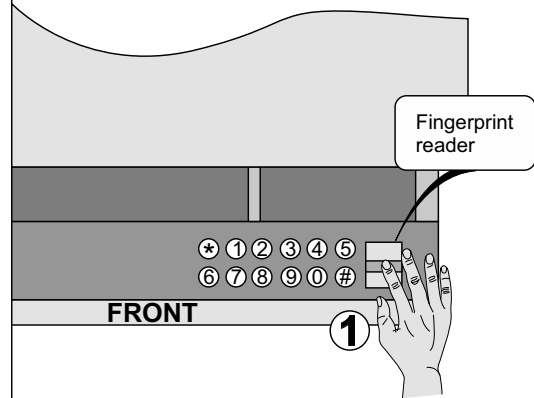
Drawer safe

2. How to Set an individual user code for drawer safe Royal



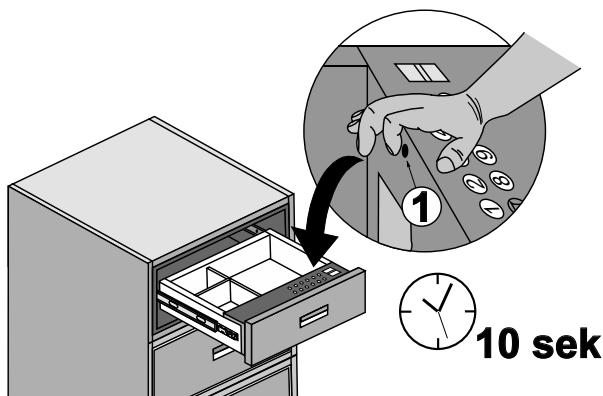
After opening the drawer safe using the fingerprint reader or factory security code, press the **RESET** button (1) until you hear a short "DI" signal. Then re-enter the factory unlock code **1234** and confirm using **#**. **OK** will be displayed. You can now enter your individual unlocking code, (4 to 6 digits) and confirm with **#**. The code should be repeated and again confirm with **#**. If the code is accepted, **OK** will be displayed. Your new safe unlock code is now active.

3. How to Set an individual user fingerprint for drawer safe Royal using the fingerprint reader



If the drawer safe has been previously programmed with an individual user code, it needs to be unlocked and opened with that same code, then the **RESET** button must be pressed until you hear a short 'DI' signal. Next insert your individual unlocking code again and confirm with **#**. Now place your finger (1) on the fingerprint pad, 'OK' will flash with a short "DI" signal, now repeat with your finger 3 more times. The display will go to standby. Your fingerprint is now active to unlock the safe.

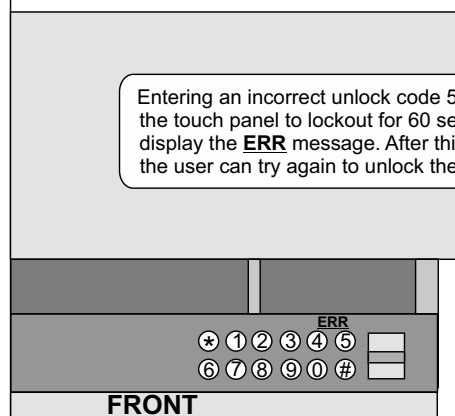
4. How to reset an individual user code



To completely reset the security codes of the safe, open the drawer and hold down **RESET** (1) for 10 seconds until the "DI DI" signal is heard. Reset will be confirmed by displaying the word **OK**.

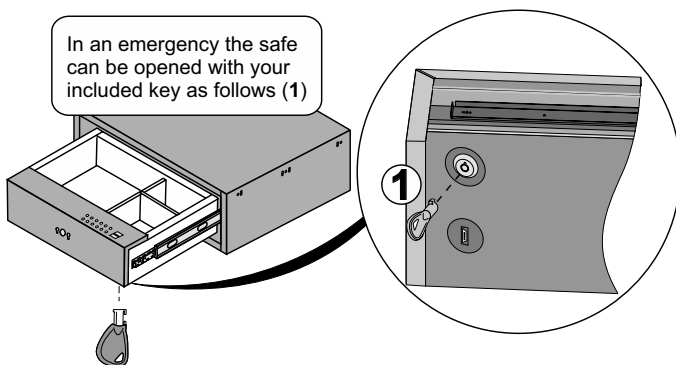
5. Touch panel lockout

Entering an incorrect unlock code 5x will cause the touch panel to lockout for 60 seconds and display the **ERR** message. After this time, the user can try again to unlock the safe.



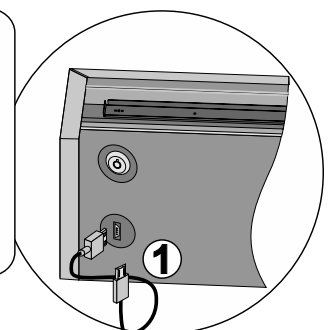
6. Emergency opening of the safe

In an emergency the safe can be opened with your included key as follows (1)



7. Power supply

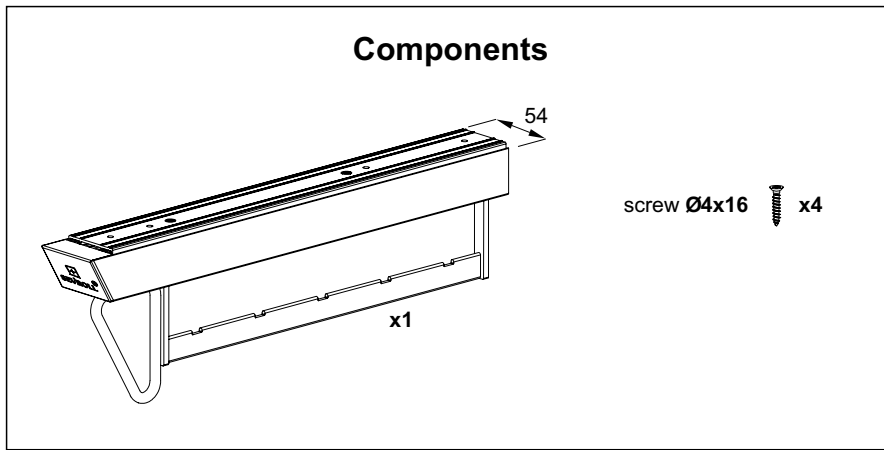
The **micro USB type B** power socket (1) can be used to supply power to the safe in case of battery failure. The included power cord allows you to support the existing batteries. You can use a powerbank with voltage up to 3.7V



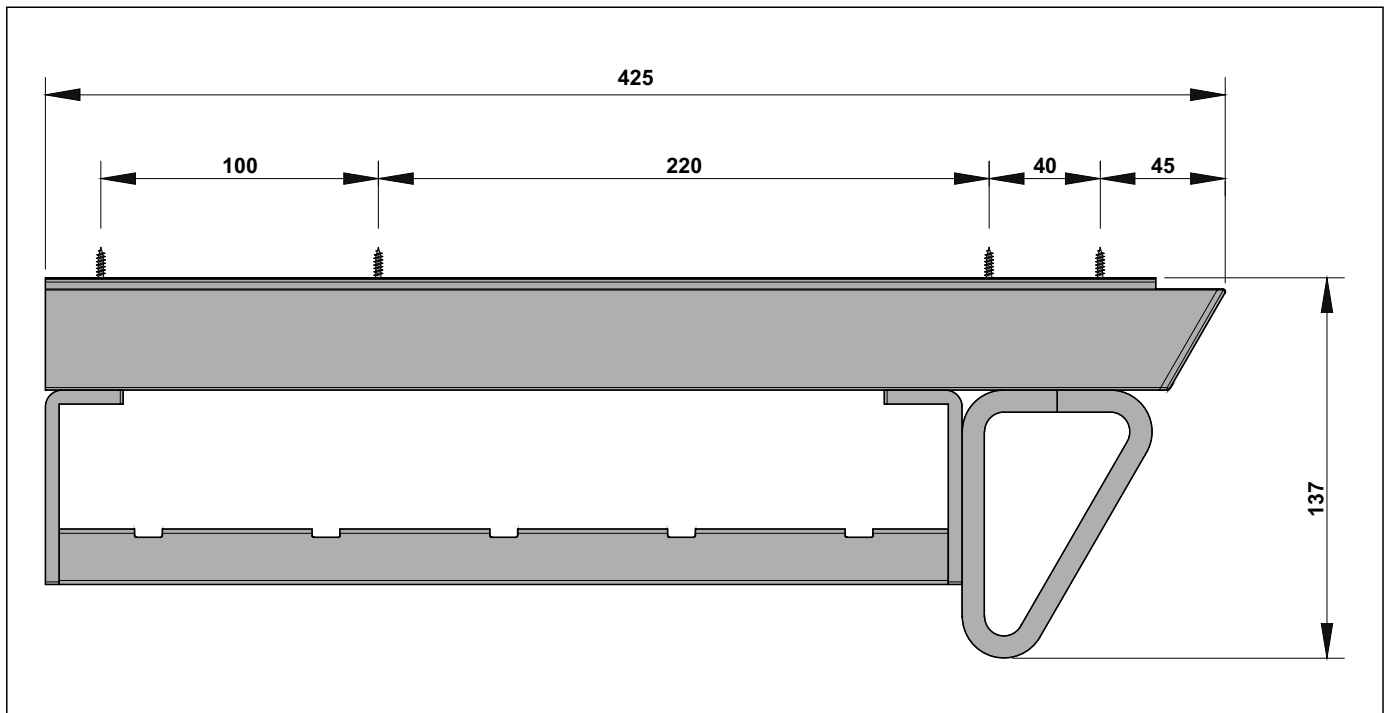
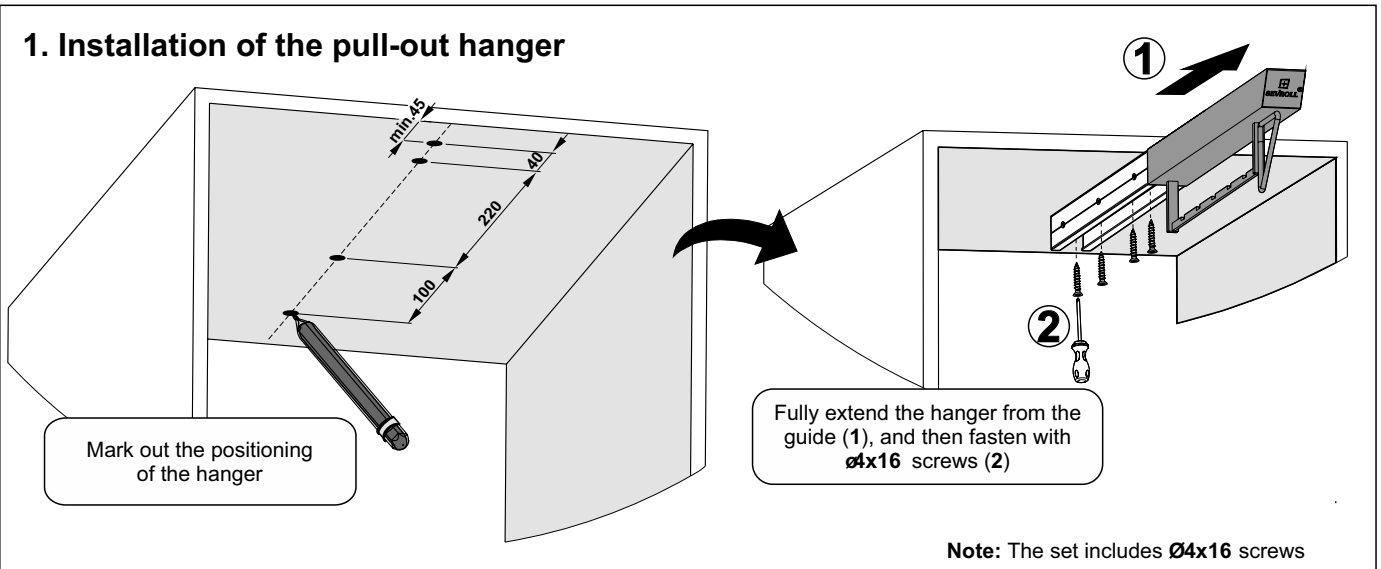
You cannot charge the safe's batteries through the USB connection.

7.1 SYSTEM ROYAL

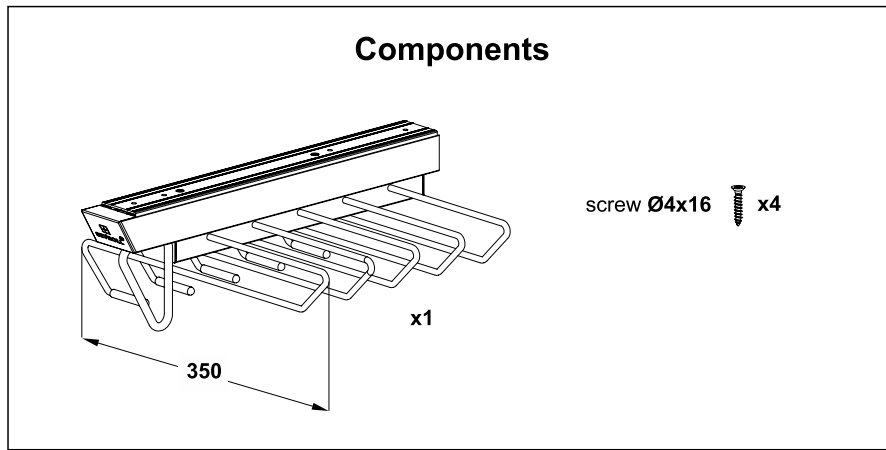
Pull-out hanger



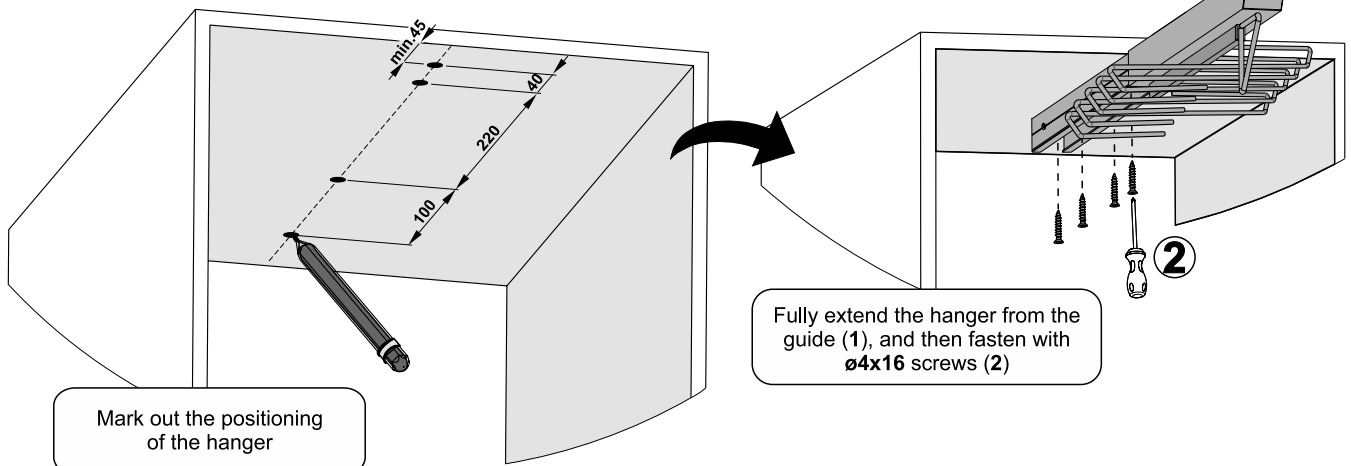
1. Installation of the pull-out hanger



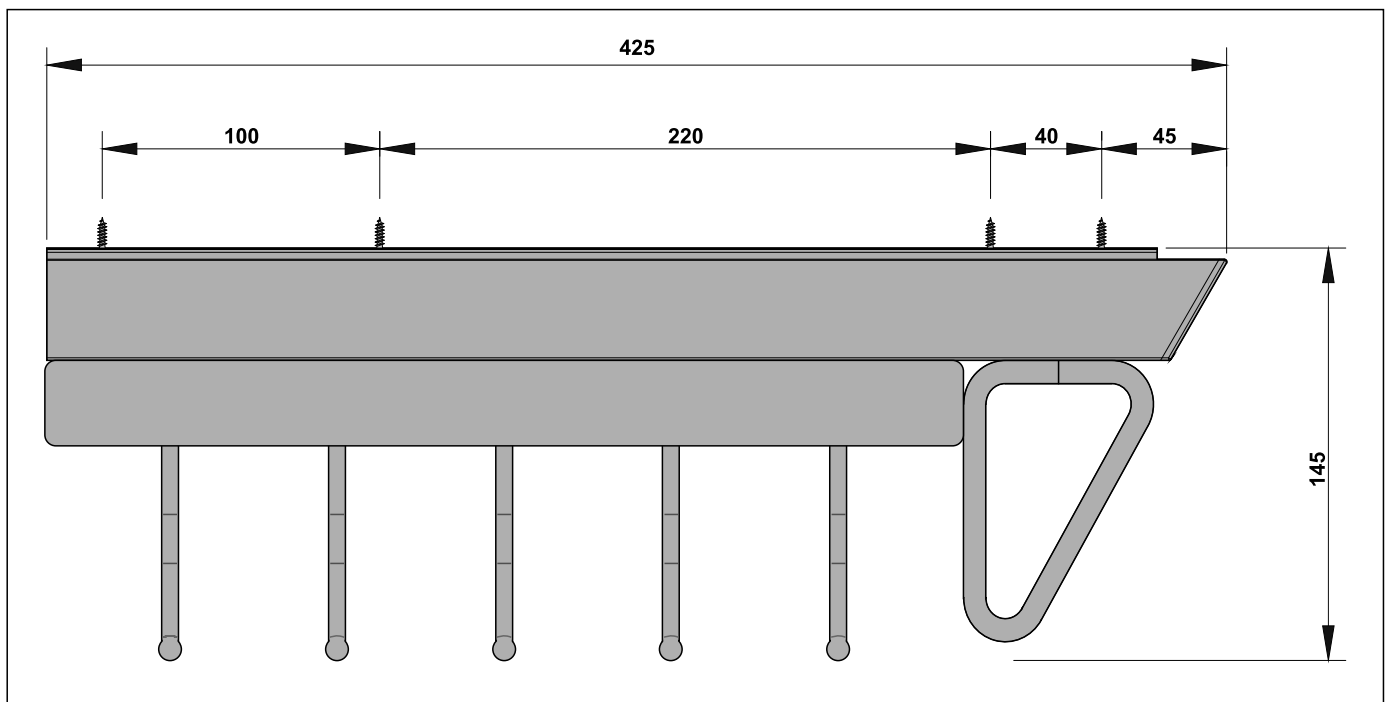
Pull-out trouser hanger



1. Installation of the pull-out hanger



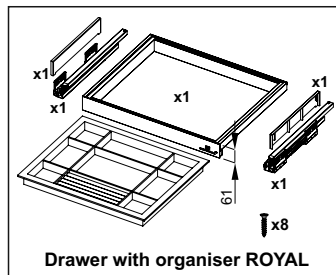
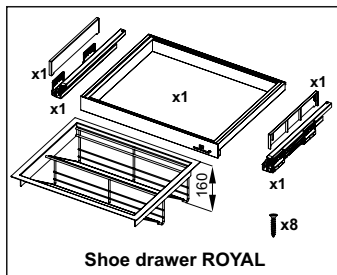
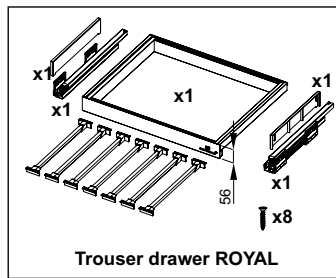
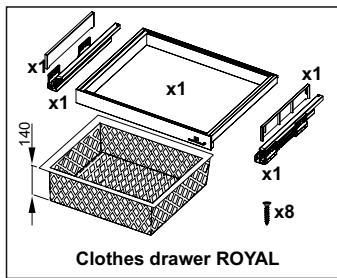
Note: The set includes Ø4x16 screws.



7.1 SYSTEM ROYAL

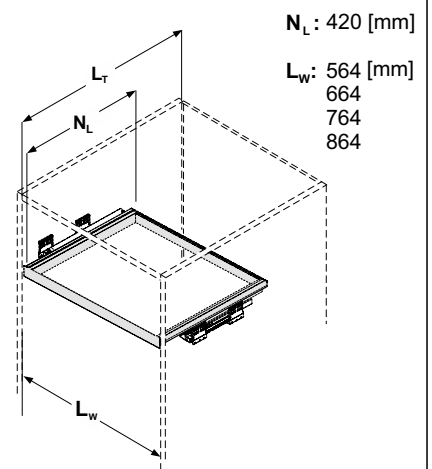
Pull-out drawers

Components



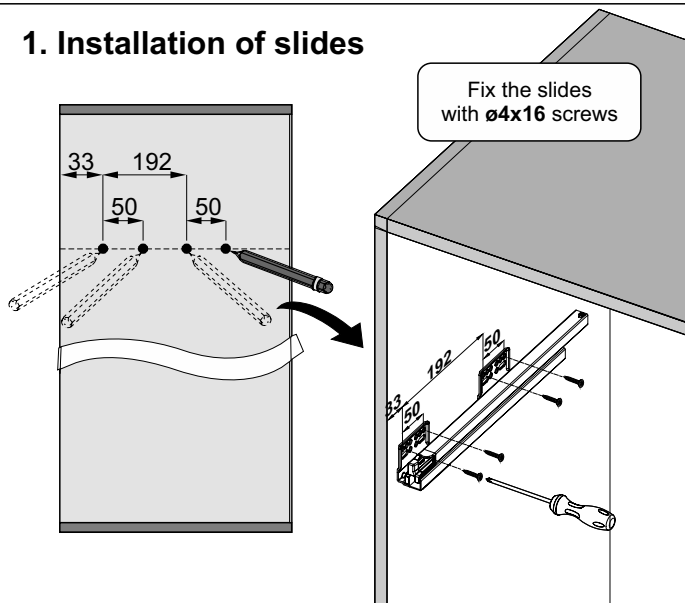
Note: This set includes $\varnothing 4 \times 16$ screws

Carcass dimensions

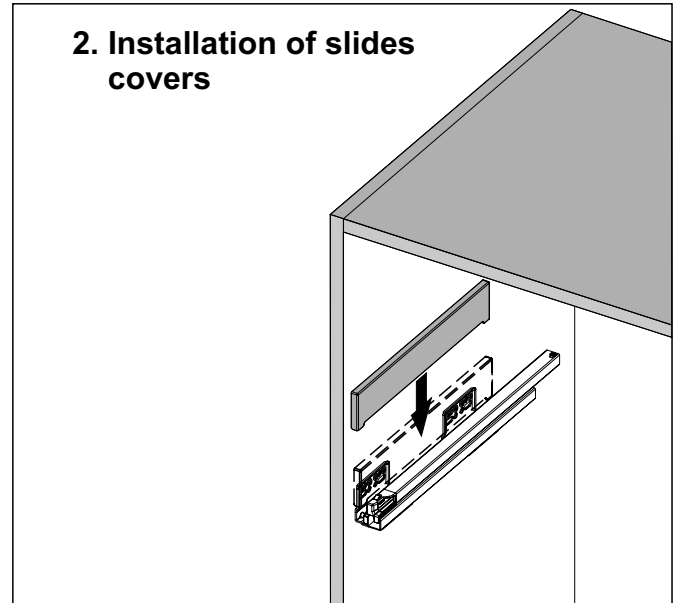


N_L - Drawer depth
 L_T - Internal carcass depth min. $N_L + 5$ mm
 L_W - Internal carcass segment width

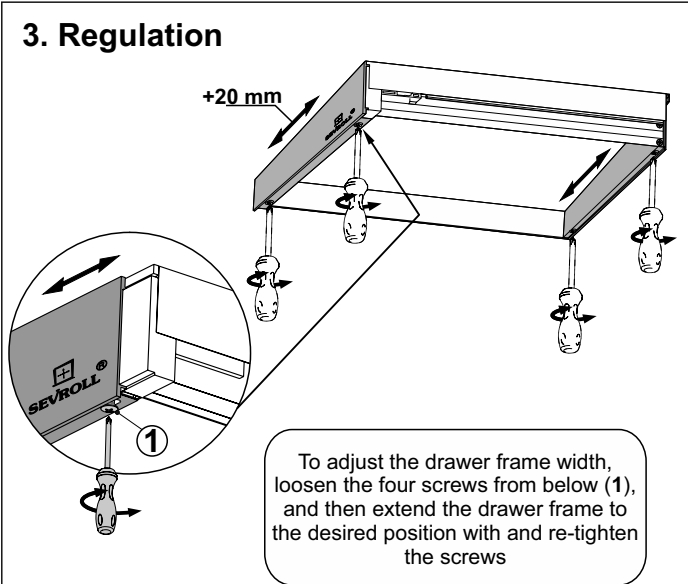
1. Installation of slides



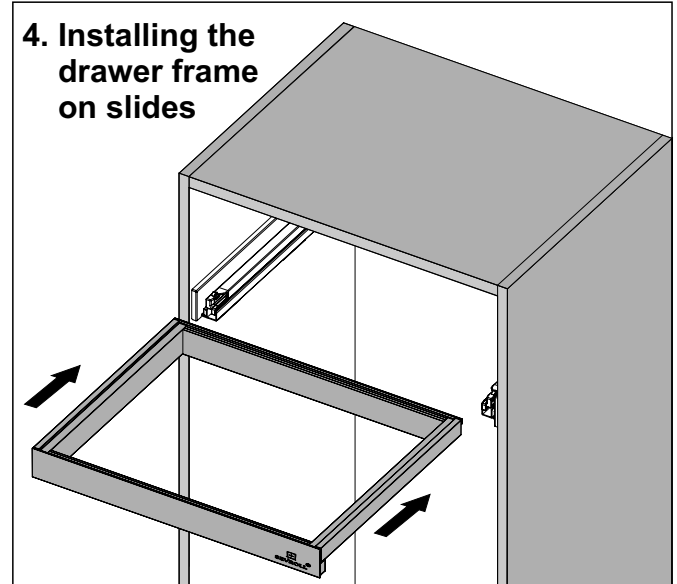
2. Installation of slides covers



3. Regulation

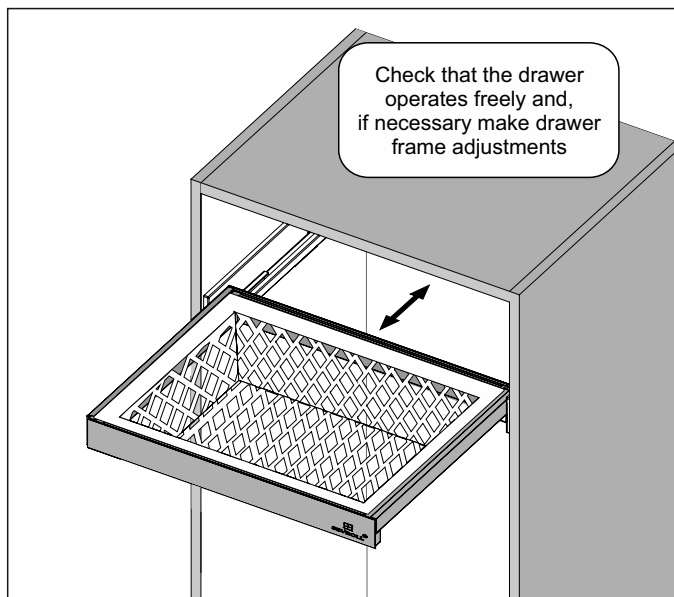
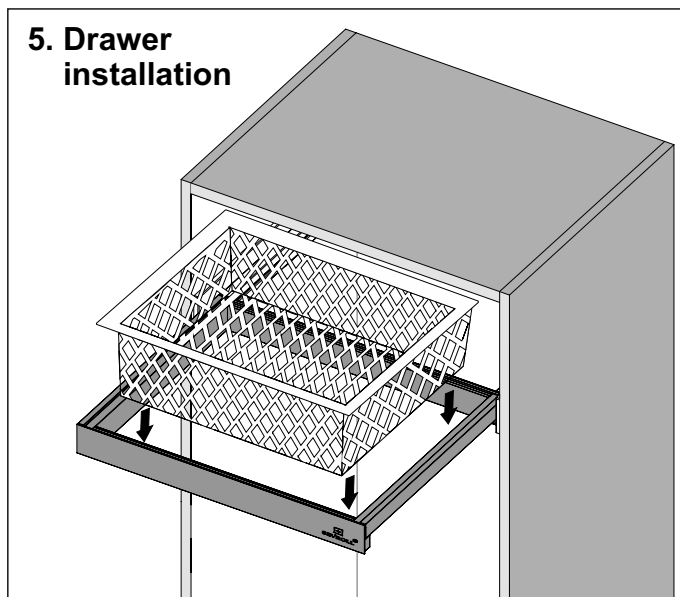


4. Installing the drawer frame on slides

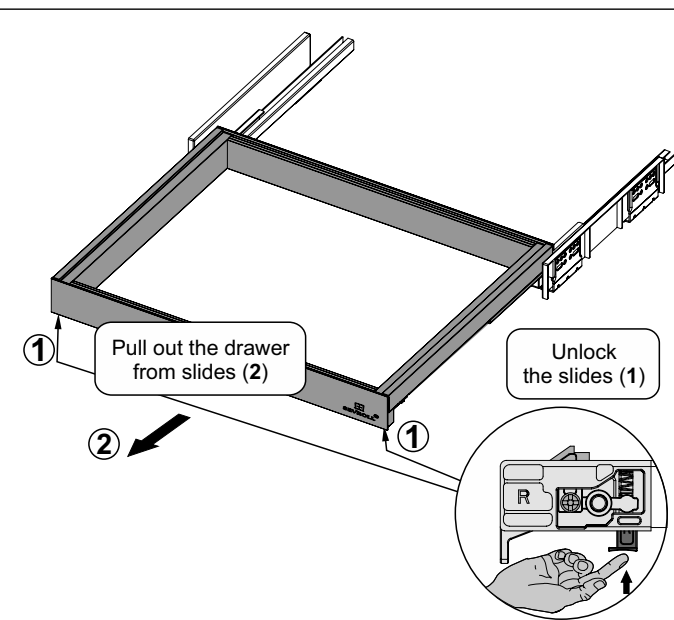
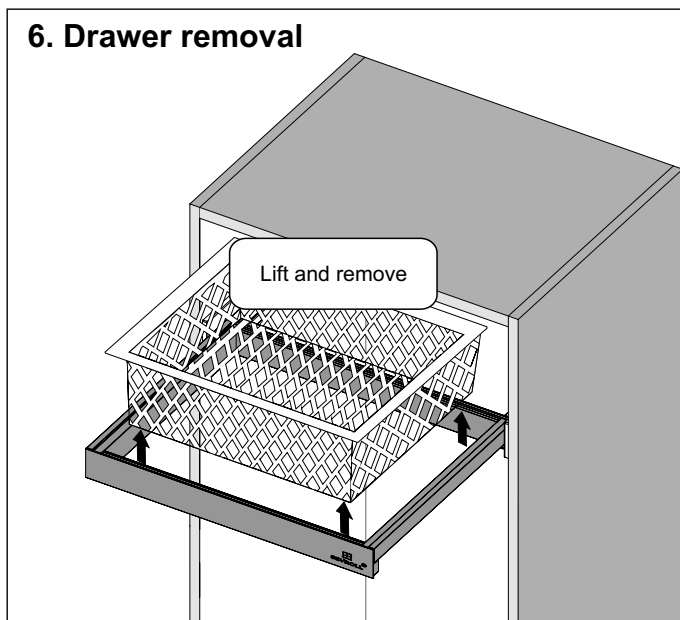


Pull-out drawers

5. Drawer installation



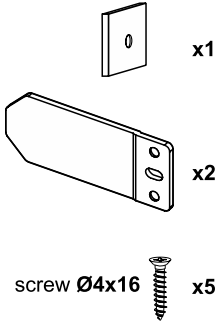
6. Drawer removal



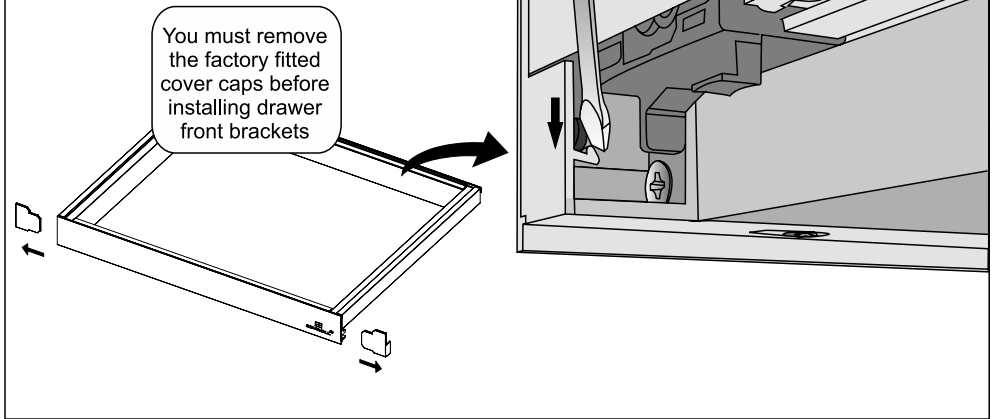
7.1 SYSTEM ROYAL

Drawer front catch

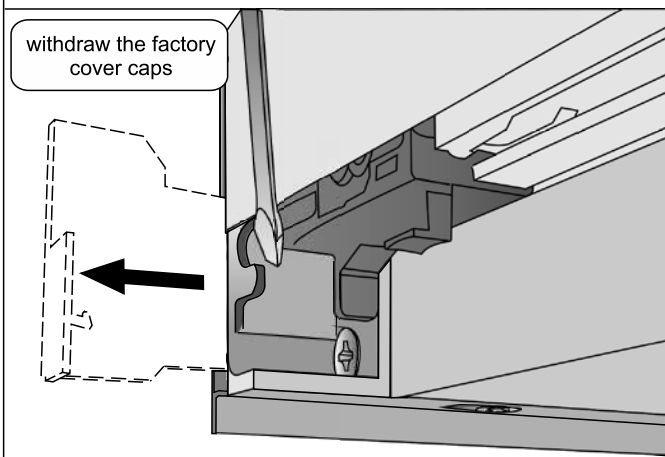
Components



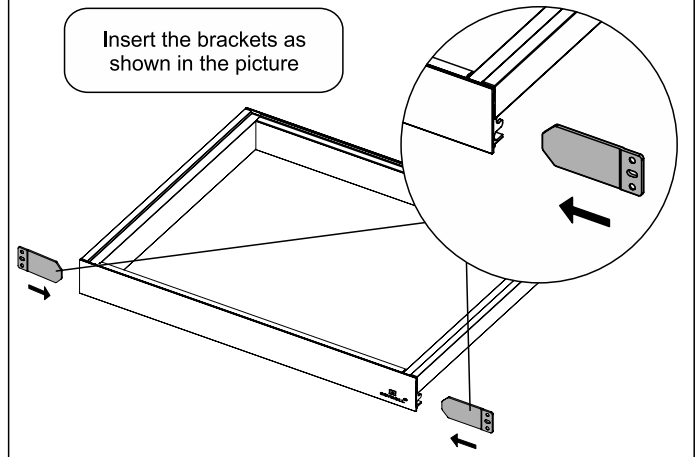
1. Release the cover caps



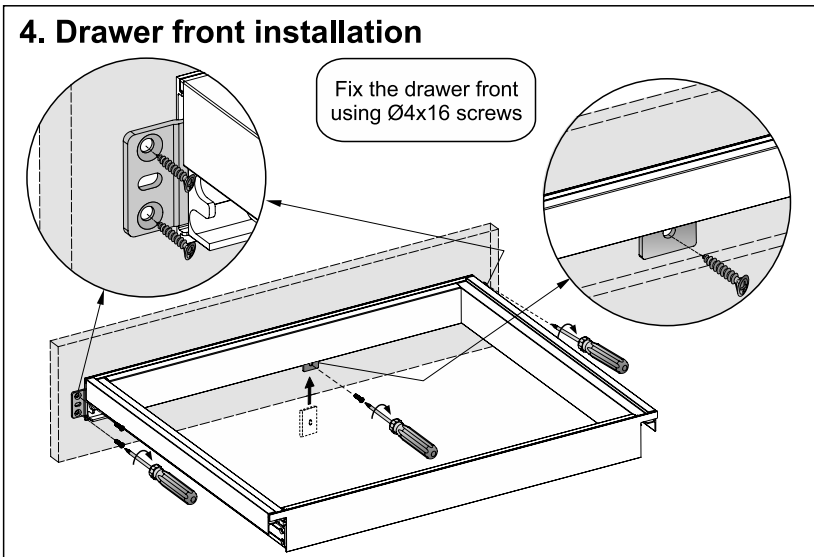
2. Pull out the cover caps



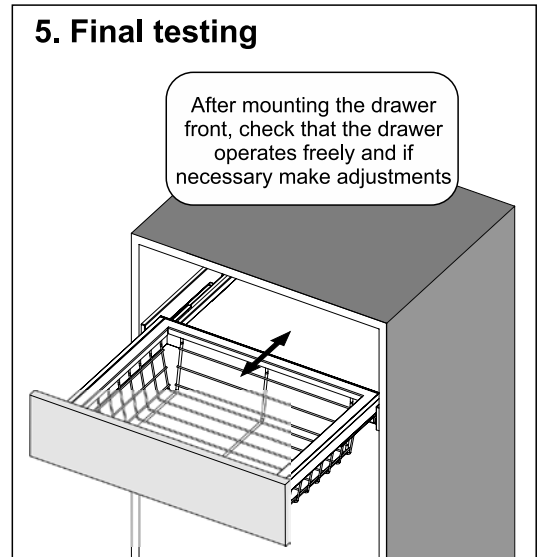
3. Fitting the brackets to the drawer frame



4. Drawer front installation



5. Final testing



NEW



Compositor 5.4

New functions and improvements
simplifying furniture design

DOWNLOAD

VALUE

DESIGN



New in the program:

- New lines in popular systems
- New colors: white and black matt (matt and gloss)
- Information about the permissible weight of the door leaf

